

Nozzle Fume Extraction in combination with gas nozzle 54007

Applies for series: ME403AF, ME503WF

Item number:	117299
Product weight (kg):	0.039 kg
Packing unit:	1



PRODUCT DESCRIPTION

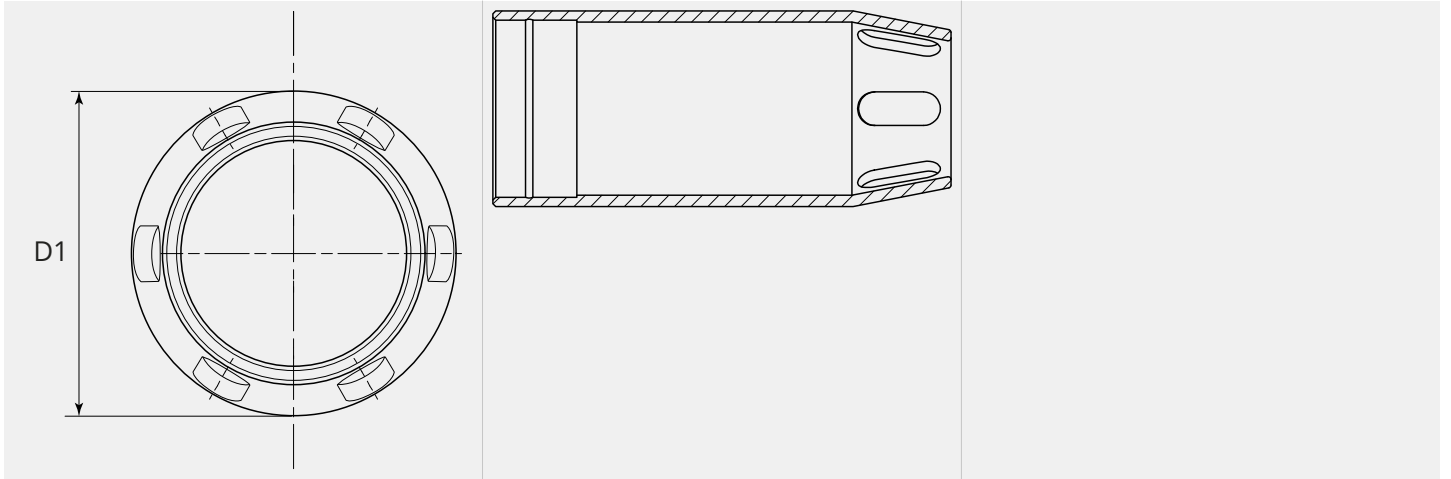
Applies for series: ME403AF, ME503WF

TECHNICAL CHARACTERISTICS

Color code:	black
Material:	Aluminium
Surface:	Hard anodising
Suitable:	ME403AF, ME503WF



DIMENSIONAL DRAWING



DIMENSIONAL DRAWING

L1 (mm):	82.0
D1 (Ø):	34
d1 (Ø):	24.0