

Feed Roll 40mm 4.8 for aluminium wire

Suitable for series: ME2000-40, ME2500-40, ME2600-40

Item number:	117153
Product weight (kg):	0.09 kg
Packing unit:	1

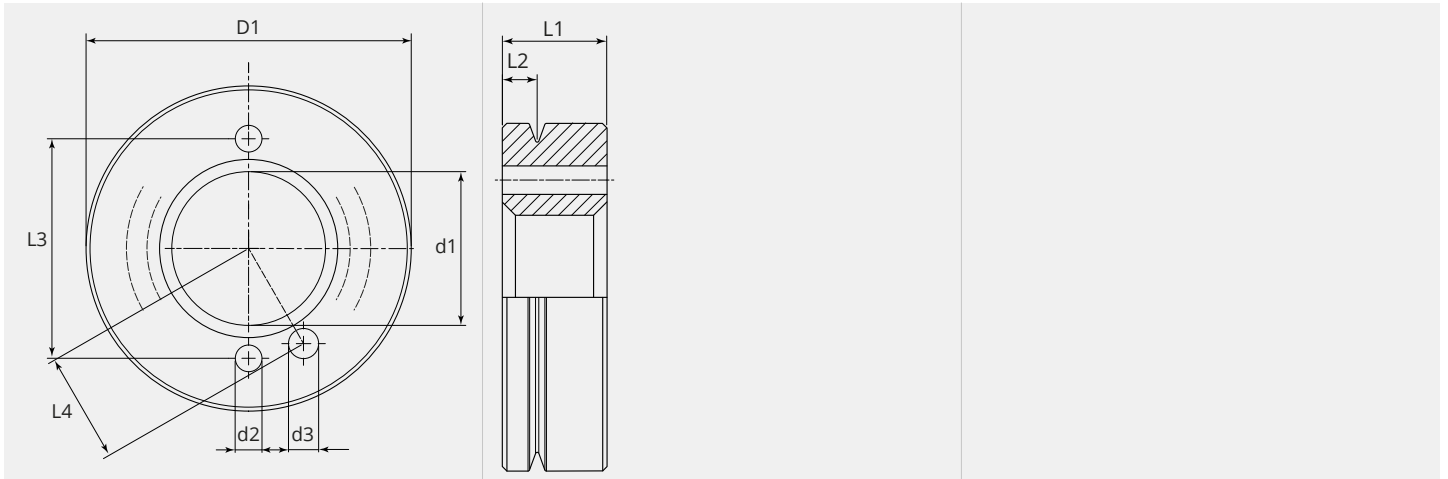


PRODUCT DESCRIPTION

Suitable for series: ME2000-40, ME2500-40, ME2600-40

TECHNICAL CHARACTERISTICS

Wire (mm):	4.8
Welding wire:	Aluminium
Groove shape:	U
Characteristics of the groove:	flat
Type of setting:	standard
Material:	Hardened steel
Surface:	Black-finish
Arrangement Rolls:	Top and bottom

DIMENSIONAL DRAWING

DIMENSIONAL DRAWING

L1 (mm):	12.00
L2 (mm):	4.00
L3 (mm):	27.00
L4 (mm):	13.50
D1 (Ø):	40
d1 (Ø):	18.90
d2 (Ø):	3.30
d3 (Ø):	3.70

From 300 pieces we produce your personal feed roll with logo. On request feed rolls are also available in stainless steel.