

Main Gear Drive for feed roll, black-finish, grinded

Applies for series: ME9800

Item number:	117042
Product weight (kg):	0.033 kg
Packing unit:	1

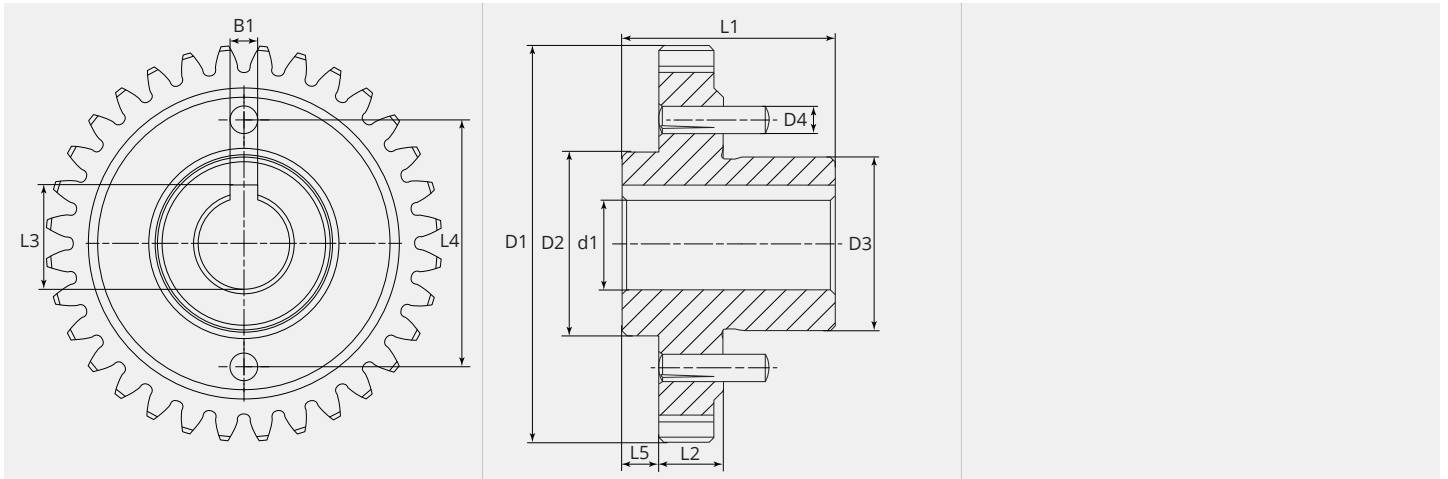


PRODUCT DESCRIPTION

Applies for series: ME9800

TECHNICAL CHARACTERISTICS

Type of setting:	Motor shaft
Material:	Hardened steel
Surface:	Black-finish
Isolated:	no
Feed Roll support:	Grinded
Motor/gear distance (mm):	12.5
Driving pin type:	W/O

DIMENSIONAL DRAWING

DIMENSIONAL DRAWING

L1 (mm):	23.30
L2 (mm):	4.70
L3 (mm):	11.40
L4 (mm):	21.00
L5 (mm):	6.30
B1 (mm):	3.00
D1 (Ø):	33.2
D2 (Ø):	16.00
D3 (Ø):	13.90
D4 (Ø):	3.00
d1 (Ø):	10.00