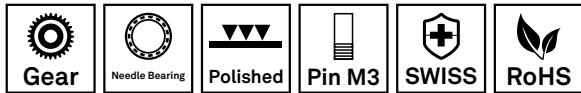


Gear Adaptor Feed Roll with needle bearing, nickel plated, grinded

Applies for series: ME8700, ME8900, ME9800, ME9900

Item number:	116869
Product weight (kg):	0.028 kg
Packing unit:	1



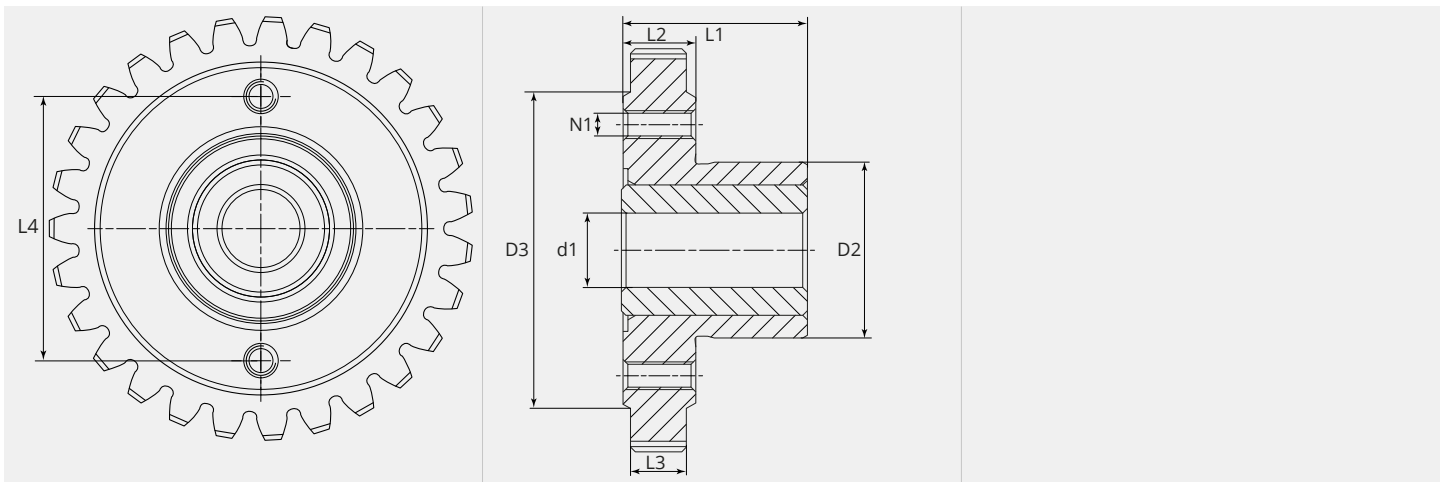
PRODUCT DESCRIPTION

Applies for series: ME8700, ME8900, ME9800, ME9900

TECHNICAL CHARACTERISTICS

Type of setting:	Axle shaft gear adaptor
Material:	Hardened steel
Surface:	Electroless nickel
Bearing:	Needle bearing
Feed Roll support:	Grinded
Driving pin type:	M3
Concentricity:	0.05
Specifics:	Do not use in pressure arm

DIMENSIONAL DRAWING





DIMENSIONAL DRAWING

L1 (mm):	16.80
L2 (mm):	4.80
L3 (mm):	3.80
L4 (mm):	21.00
D1 (Ø):	33
D2 (Ø):	13.90
D3 (Ø):	25.20
d1 (Ø):	8.00
N1:	M3