

Adaptor isolated

Applies for series: ME8700, ME9900-2R

Item number: 116803

Product weight (kg): 0.0486 kg

Packing unit: 1



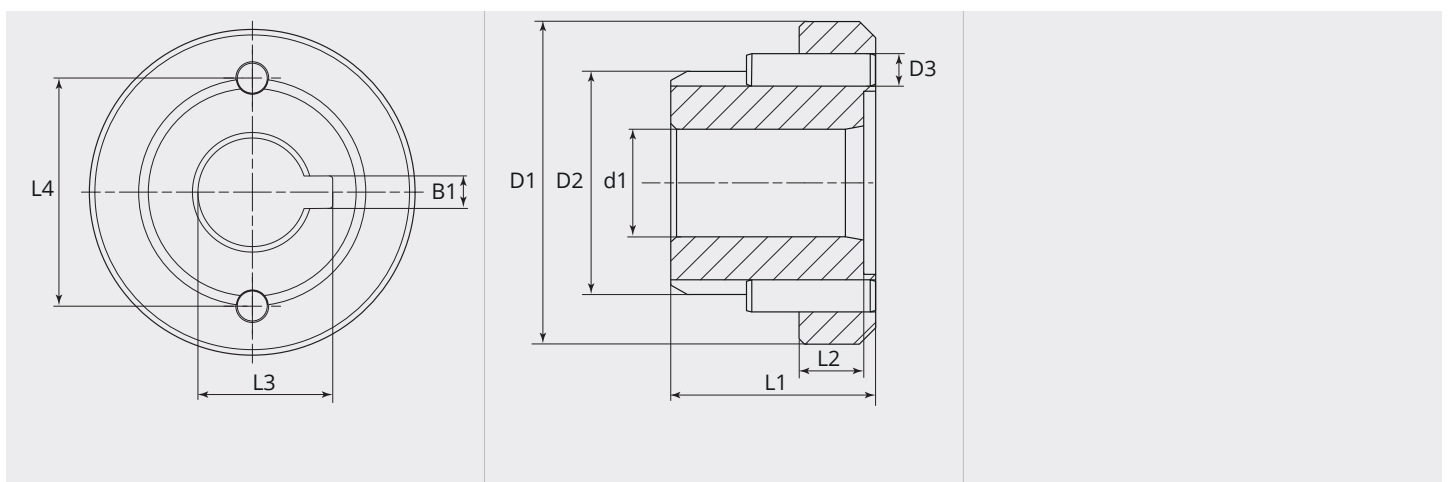
PRODUCT DESCRIPTION

Applies for series: ME8700, ME9900-2R

TECHNICAL CHARACTERISTICS

Type of setting:	Motor shaft isolated
Material:	Plastic
Surface:	Plastic
Isolated:	yes
Feed Roll support:	insulated
Motor/gear distance (mm):	12.5
Driving pin type:	Pin
Specifics:	Suitable for feed roll 30mm insulated
Motor positions:	in the centre

DIMENSIONAL DRAWING





DIMENSIONAL DRAWING

L1 (mm):	19.00
L2 (mm):	6.00
L3 (mm):	11.50
L4 (mm):	21.00
B1 (mm):	3.00
D1 (Ø):	30
D2 (Ø):	20.90
D3 (Ø):	3.00
d1 (Ø):	10.00