

Gear Adaptor Feed Roll with ball bearing, black-finish, unpolished

Applies for series: ME9300, ME2000-37, ME2500-37, ME2600-37

Item number:	116383
Product weight (kg):	0.065 kg
Packing unit:	1



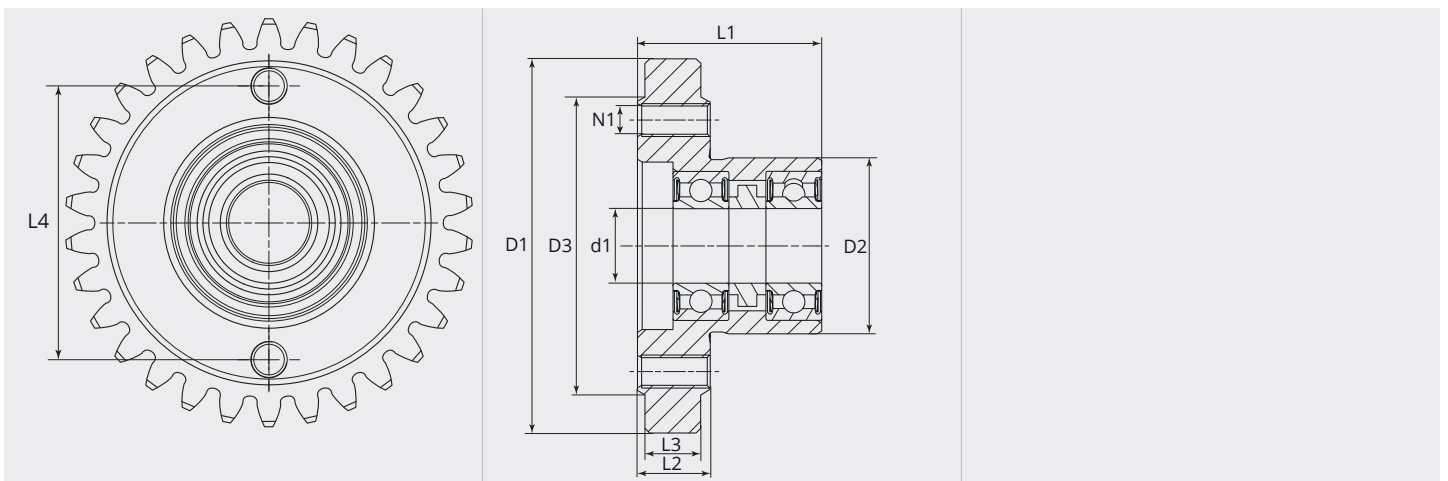
PRODUCT DESCRIPTION

Applies for series: ME9300, ME2000-37, ME2500-37, ME2600-37

TECHNICAL CHARACTERISTICS

Type of setting:	Axle shaft gear adaptor
Material:	Hardened steel
Surface:	Black-finish
Bearing:	Ball bearing
Feed Roll support:	Unpolished
Driving pin type:	M3
Concentricity:	0.05
Specifics:	Do not use in pressure arm Only for use with axle shaft gear adaptor 116028

DIMENSIONAL DRAWING





DIMENSIONAL DRAWING

L1 (mm):	19.80
L2 (mm):	7.80
L3 (mm):	6.00
L4 (mm):	27.00
D1 (Ø):	40.2
D2 (Ø):	18.90
D3 (Ø):	32.00
d1 (Ø):	8.00
N1:	M3