

# Axle for gear adaptor

Applies for gear adaptor with ball bearing

Item number:	116028
Product weight (kg):	0.021 kg
Packing unit:	1

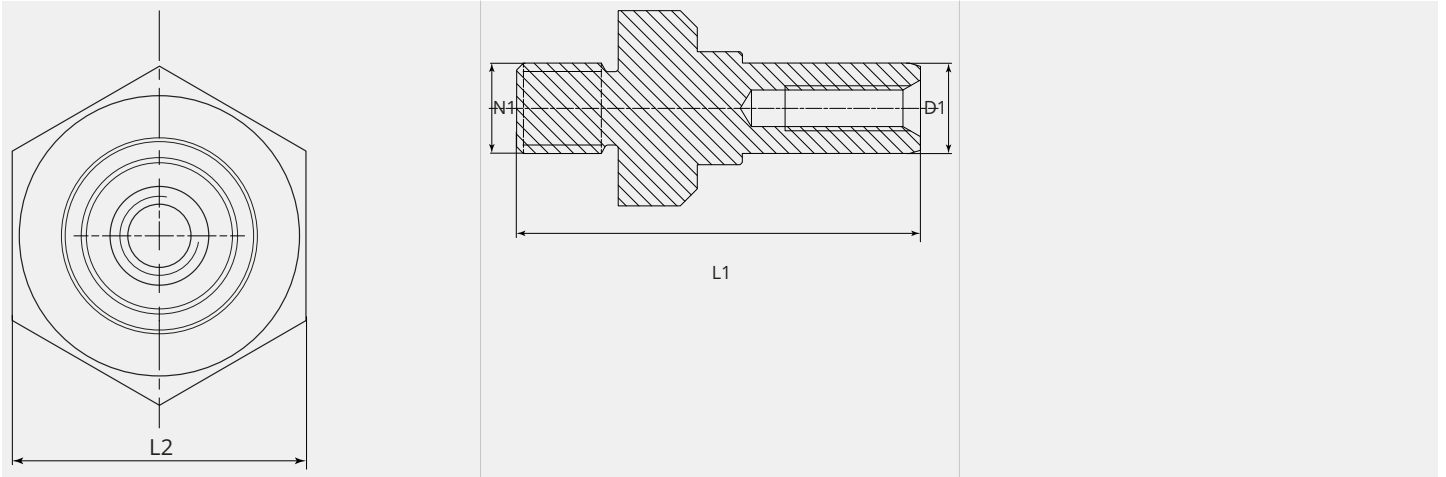


## PRODUCT DESCRIPTION

Applies for gear adaptor with ball bearing

## TECHNICAL CHARACTERISTICS

Material:	Steel
Surface:	Phosphated
Suitable:	ME2000-37, ME2000-40

**DIMENSIONAL DRAWING**

**DIMENSIONAL DRAWING**

<b>L1 (mm):</b>	35.8
<b>L2 (mm):</b>	SW15
<b>D1 (Ø):</b>	8
<b>N1:</b>	M8