

# Kunrled head screw

Applies for feed roll with ball bearing

Item number:	115982
Product weight (kg):	0.012 kg
Packing unit:	1

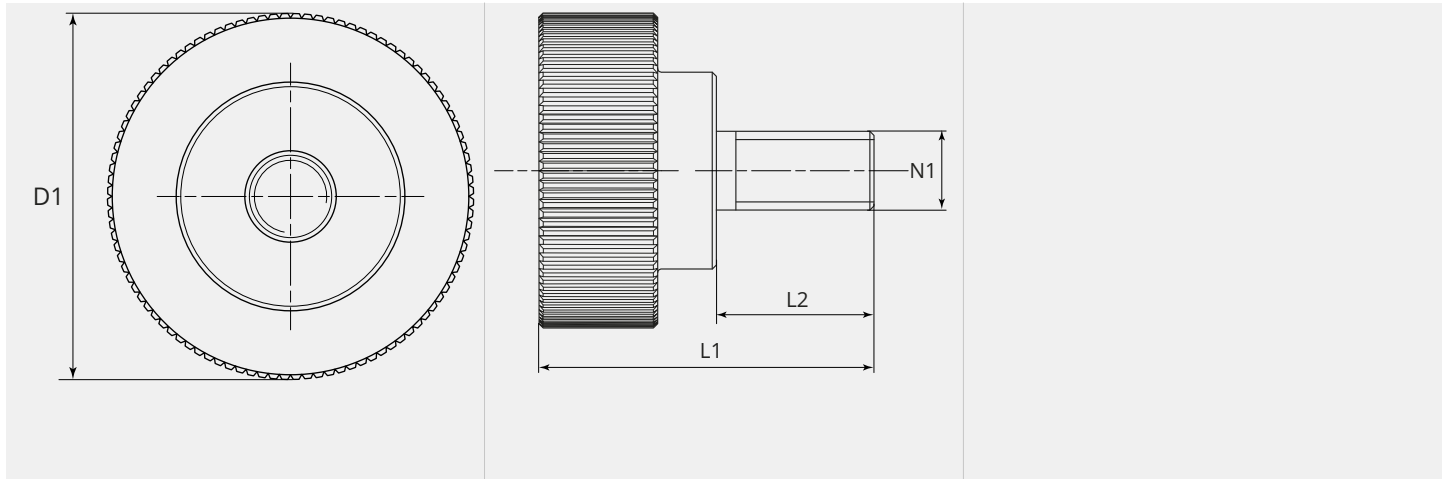


## PRODUCT DESCRIPTION

Applies for feed roll with ball bearing

## TECHNICAL CHARACTERISTICS

Material:	Stainless steel
Suitable:	ME9900-4R

**DIMENSIONAL DRAWING**

**DIMENSIONAL DRAWING**

<b>L1 (mm):</b>	17.0
<b>L2 (mm):</b>	8.0
<b>D1 (Ø):</b>	16
<b>N1:</b>	M4