

Axle for feed roll

Applies for feed roll with ball bearing

Item number:	115981
Product weight (kg):	0.016 kg
Packing unit:	1

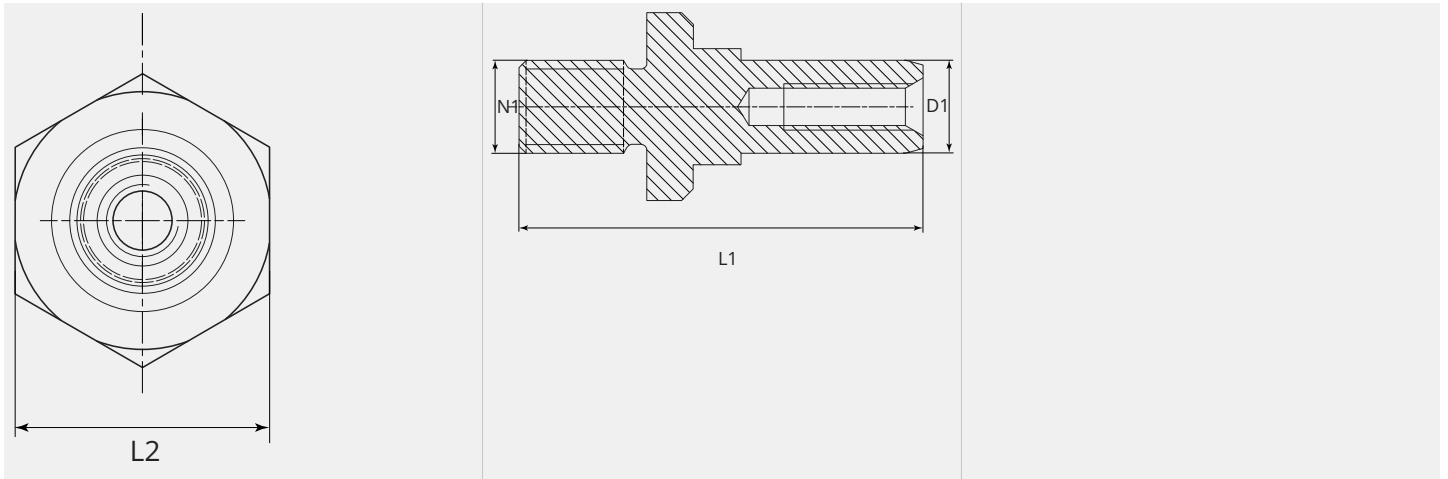


PRODUCT DESCRIPTION

Applies for feed roll with ball bearing

TECHNICAL CHARACTERISTICS

Material:	Steel
Surface:	Phosphated
Suitable:	ME9900-4R

DIMENSIONAL DRAWING

DIMENSIONAL DRAWING

L1 (mm):	34.8
L2 (mm):	SW14
D1 (Ø):	8
N1:	M8