

Geared ring

Applies for feed roll with ball bearing

Item number:	115978
Product weight (kg):	0.0168 kg
Packing unit:	1

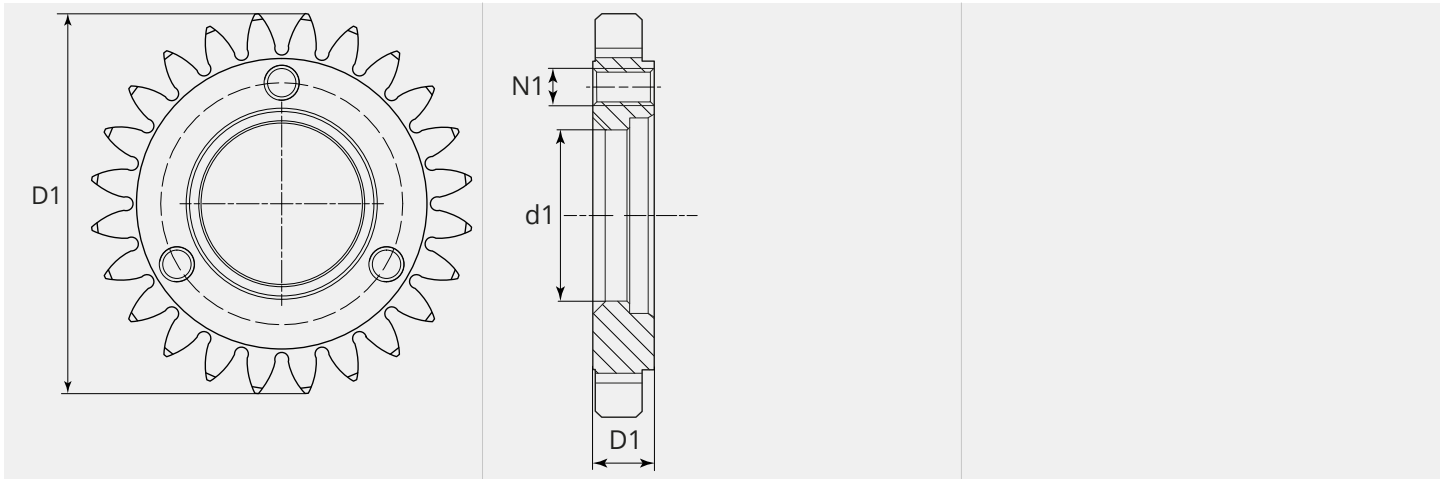


PRODUCT DESCRIPTION

Applies for feed roll with ball bearing

TECHNICAL CHARACTERISTICS

Material:	Hardened steel
Surface:	Black-finish
Suitable:	ME9900-4R

DIMENSIONAL DRAWING

DIMENSIONAL DRAWING

L1 (mm):	5.0
D1 (Ø):	33
d1 (Ø):	14.0
N1:	M3