

# Springholder with hose protection spring ID37x3

Applies for adapter support with 1 1/2-12UNF thread

Item number:	115962
Product weight (kg):	0.173 kg
Packing unit:	1

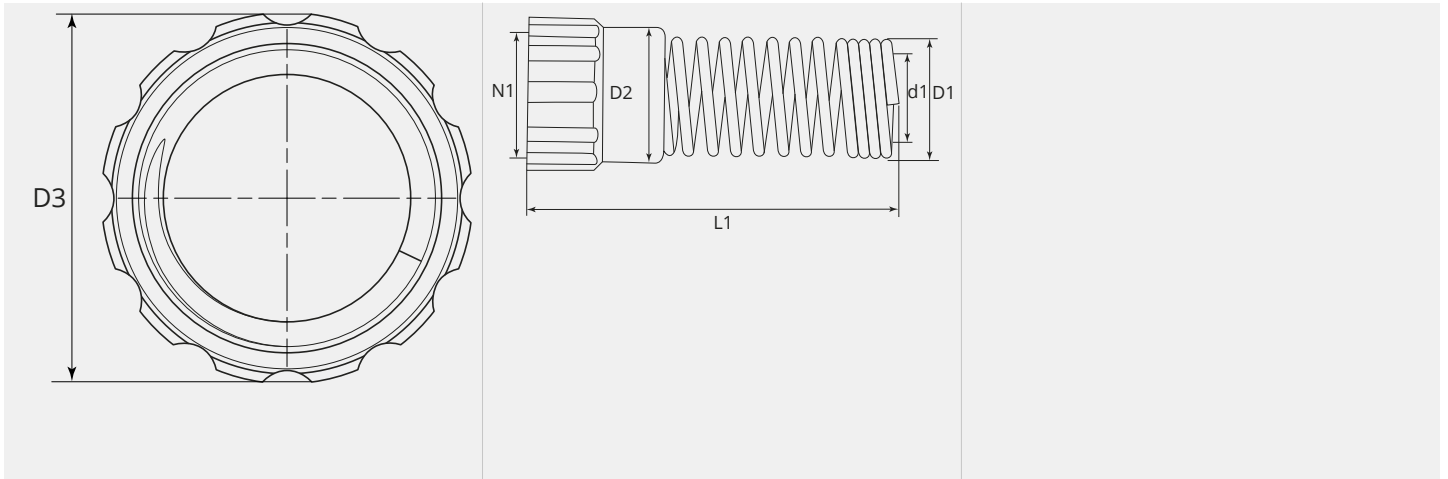


## PRODUCT DESCRIPTION

Applies for adapter support with 1 1/2-12UNF thread

## TECHNICAL CHARACTERISTICS

**Material:** Plastic, spring steel nickel plated

**DIMENSIONAL DRAWING**

**DIMENSIONAL DRAWING**

<b>L1 (mm):</b>	147.5
<b>D1 (Ø):</b>	43
<b>D2 (Ø):</b>	47.0
<b>D3 (Ø):</b>	45.0
<b>d1 (Ø):</b>	37.0
<b>N1:</b>	11/2"- 12UNF