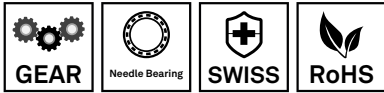


Gear with needle bearing, nickel plated

Applies for series: ME2000-40

Item number:	115305
Product weight (kg):	0.067 kg
Packing unit:	1

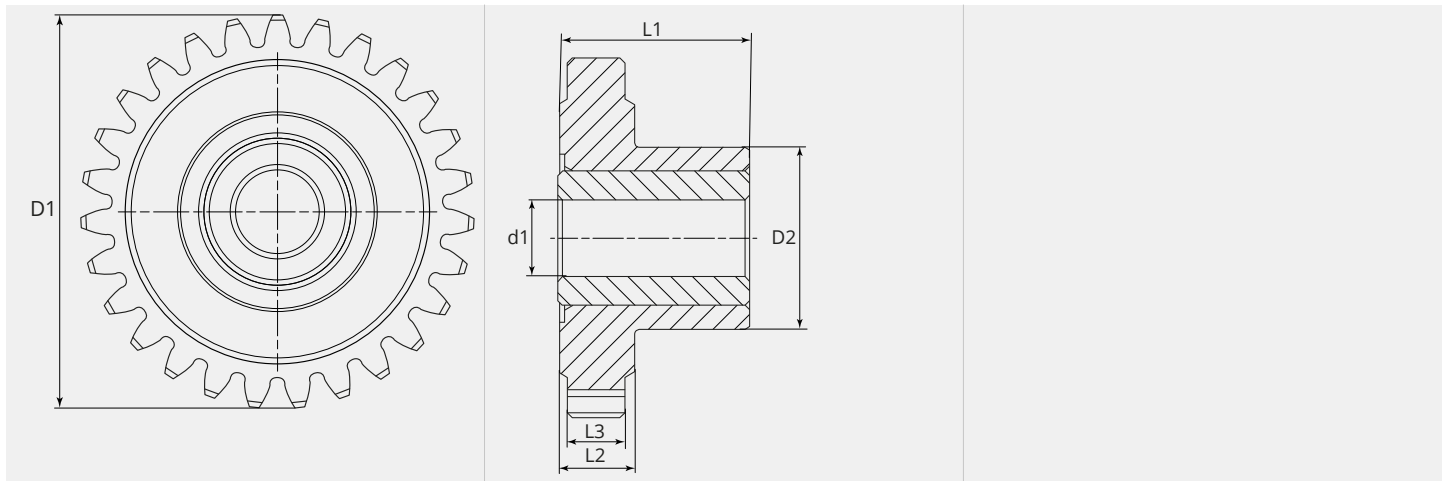


PRODUCT DESCRIPTION

Applies for series: ME2000-40

TECHNICAL CHARACTERISTICS

Type of setting:	Axle shaft gear adaptor
Material:	Hardened steel
Surface:	Electroless nickel
Bearing:	Needle bearing

DIMENSIONAL DRAWING

DIMENSIONAL DRAWING

L1 (mm):	20.00
L2 (mm):	8.00
L3 (mm):	6.00
D1 (Ø):	37.5
D2 (Ø):	19.00
d1 (Ø):	8.00