

Motor insulation kit

Applies for series: MEFRC2000-37

Item number: 115302

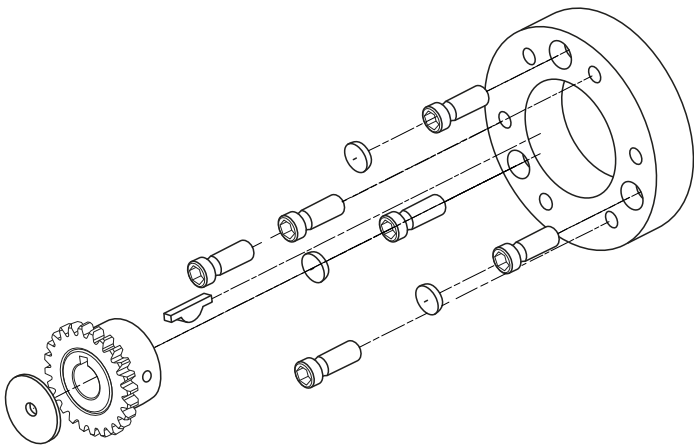
Product weight (kg): 0.164 kg

Packing unit: 1



PRODUCT DESCRIPTION

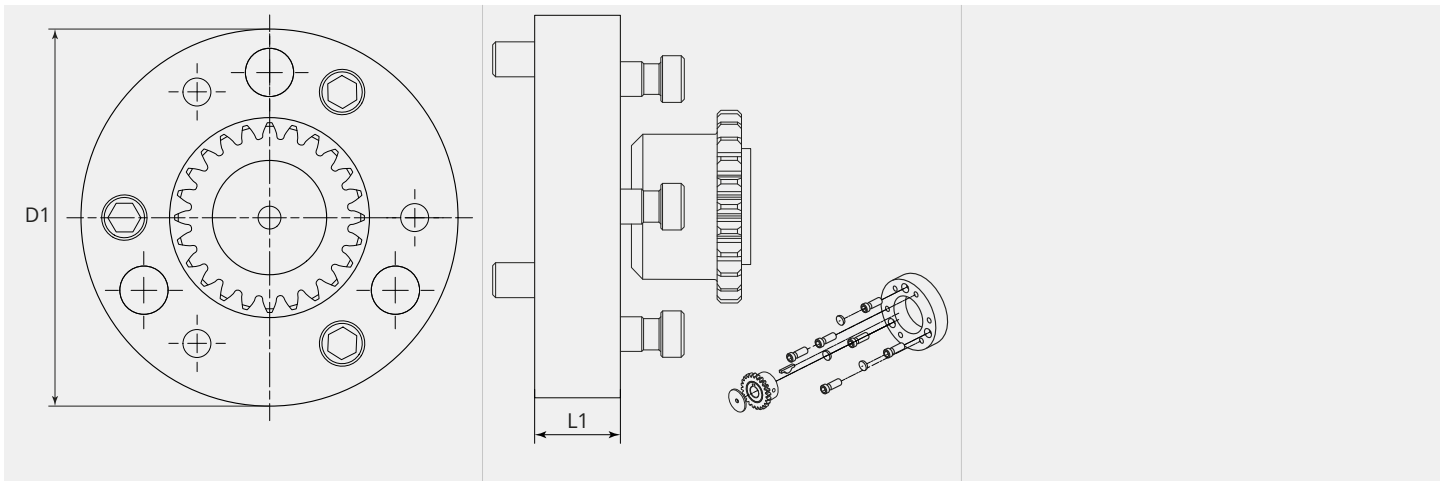
Applies for series: MEFRC2000-37



TECHNICAL CHARACTERISTICS

Motor/gear distance (mm):	17
Material:	polyoxymethylene (POM)
Suitable:	ME2000-37

DIMENSIONAL DRAWING



DIMENSIONAL DRAWING

L1 (mm):	14.8
D1 (Ø):	66