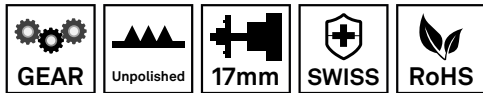


Main Gear Drive nickel plated

Applies for series: ME9300, ME2000-37

Item number:	115210
Product weight (kg):	0.097 kg
Packing unit:	1

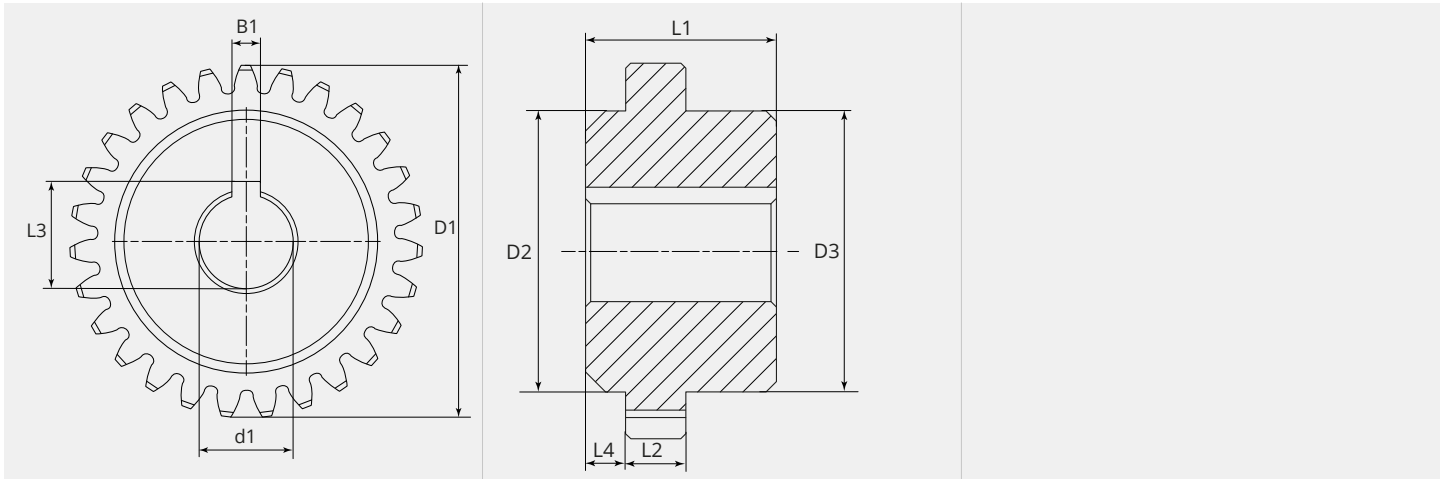


PRODUCT DESCRIPTION

Applies for series: ME9300, ME2000-37

TECHNICAL CHARACTERISTICS

Type of setting:	Motor shaft
Material:	Hardened steel
Surface:	Electroless nickel
Feed Roll support:	Unpolished
Motor/gear distance (mm):	17
Driving pin type:	W/O
Motor positions:	in the centre

DIMENSIONAL DRAWING

DIMENSIONAL DRAWING

L1 (mm):	18.40
L2 (mm):	6.00
L3 (mm):	11.40
L4 (mm):	4.00
B1 (mm):	3.00
D1 (Ø):	40.2
D2 (Ø):	28.00
D3 (Ø):	28.00
d1 (Ø):	10.00