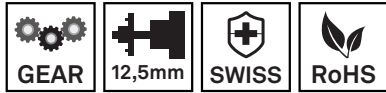


Main Gear Drive isolated, nickel plated

Applies for series: ME9900-4R

Item number:	115206
Product weight (kg):	0.05 kg
Packing unit:	1



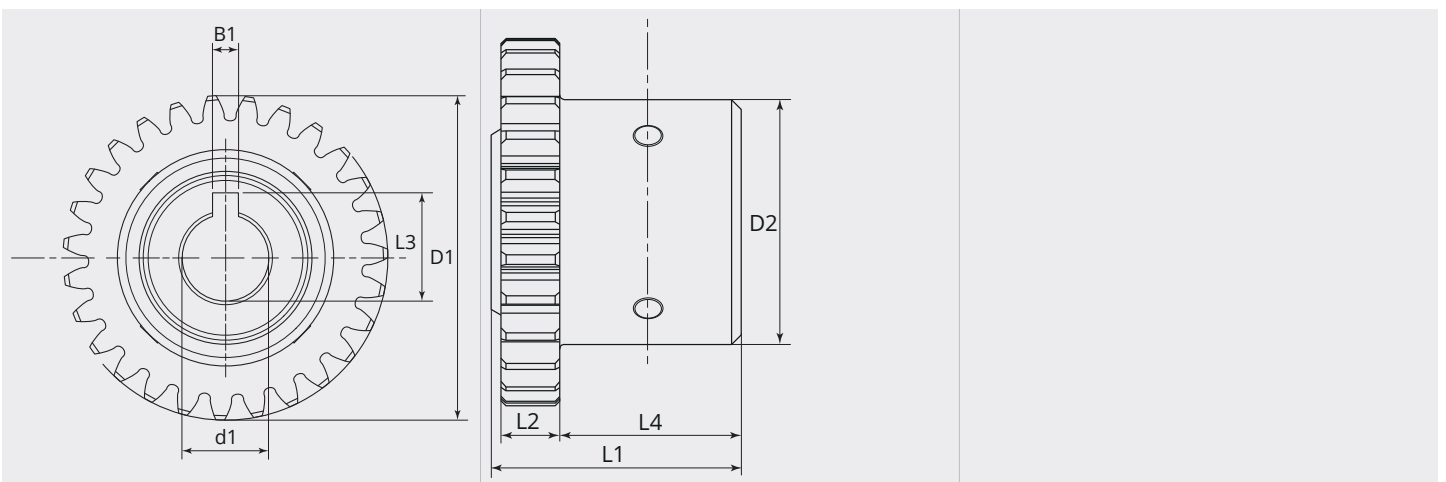
PRODUCT DESCRIPTION

Applies for series: ME9900-4R

TECHNICAL CHARACTERISTICS

Type of setting:	Motor shaft isolated
Material:	Hardened steel
Surface:	Electroless nickel
Isolated:	yes
Feed Roll support:	insulated
Motor/gear distance (mm):	12.5
Driving pin type:	W/O
Specifics:	Suitable for insulating disc 14.8mm thickness
Motor positions:	in the centre

DIMENSIONAL DRAWING





DIMENSIONAL DRAWING

L1 (mm):	23.50
L2 (mm):	4.50
L3 (mm):	12.60
L4 (mm):	19.00
B1 (mm):	3.00
D1 (Ø):	33.2
D2 (Ø):	25.00
d1 (Ø):	10.00