

Motor insulation kit

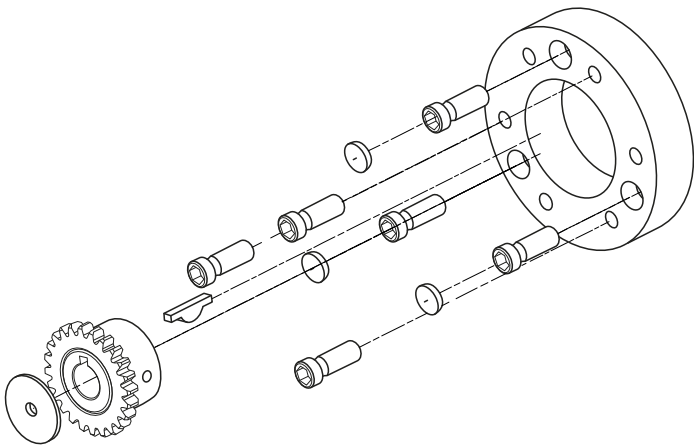
Applies for series: ME9900-4R

Item number:	115205
Product weight (kg):	0.122 kg
Packing unit:	1



PRODUCT DESCRIPTION

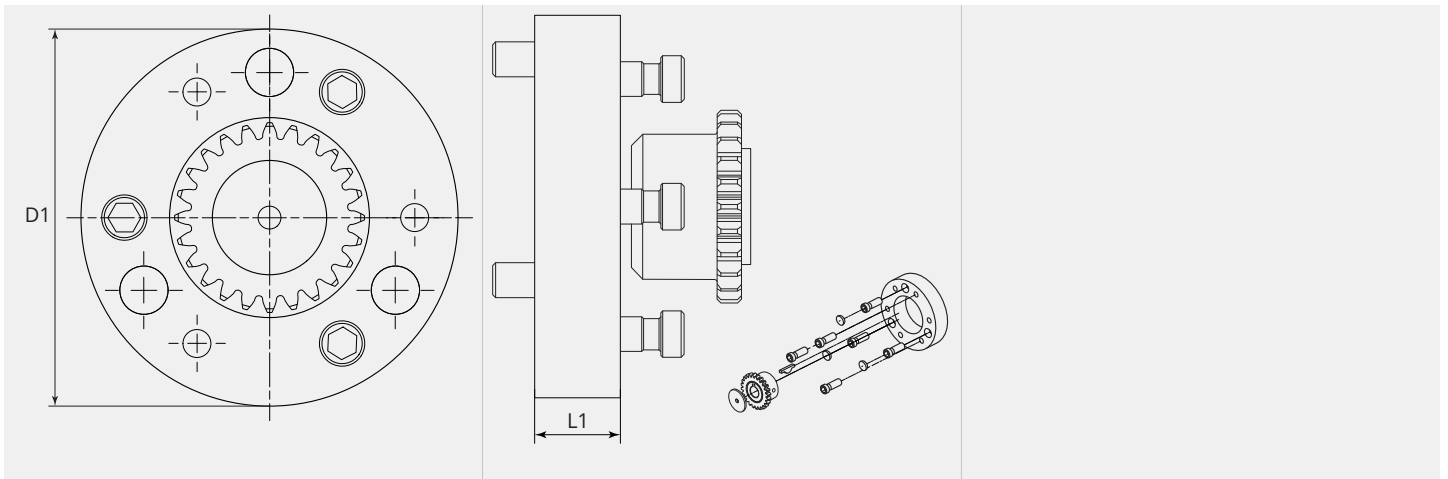
Applies for series: ME9900-4R



TECHNICAL CHARACTERISTICS

Motor/gear distance (mm):	12.5
Material:	polyoxymethylene (POM)
Suitable:	ME9900-4R

DIMENSIONAL DRAWING



DIMENSIONAL DRAWING

L1 (mm):	14.8
D1 (Ø):	66