

Motor insulation kit

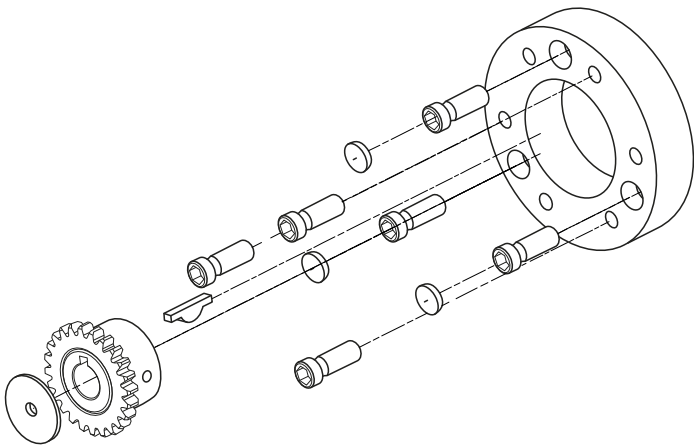
Applies for series: ME9900-4R

| | |
|----------------------|----------|
| Item number: | 115204 |
| Product weight (kg): | 0.135 kg |
| Packing unit: | 1 |



PRODUCT DESCRIPTION

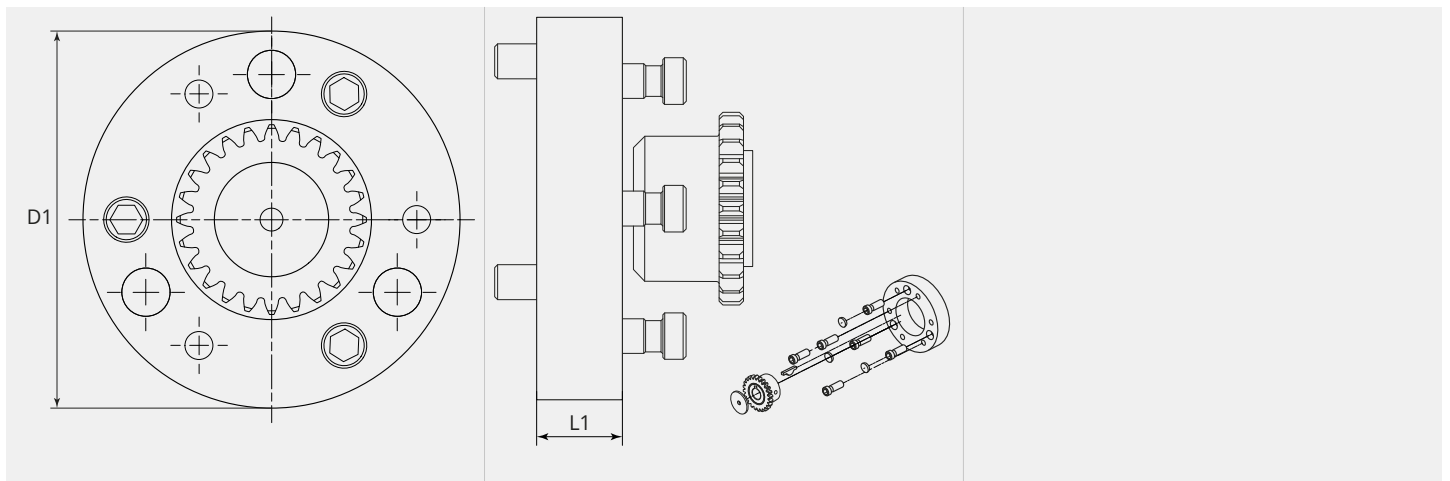
Applies for series: ME9900-4R



TECHNICAL CHARACTERISTICS

| | |
|---------------------------|------------------------|
| Motor/gear distance (mm): | 17 |
| Material: | polyoxymethylene (POM) |
| Suitable: | ME9900-4R |

DIMENSIONAL DRAWING



DIMENSIONAL DRAWING

| | |
|----------|------|
| L1 (mm): | 14.8 |
| D1 (Ø): | 66 |