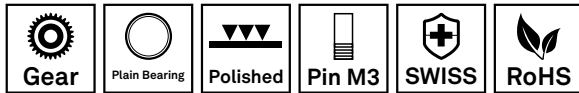


Gear Adaptor Feed Roll with bronze bush, nickel plated, grinded

Applies for series: ME9300, ME2000-37, ME2500-37, ME2600-37

Item number:	115025
Product weight (kg):	0.074 kg
Packing unit:	1



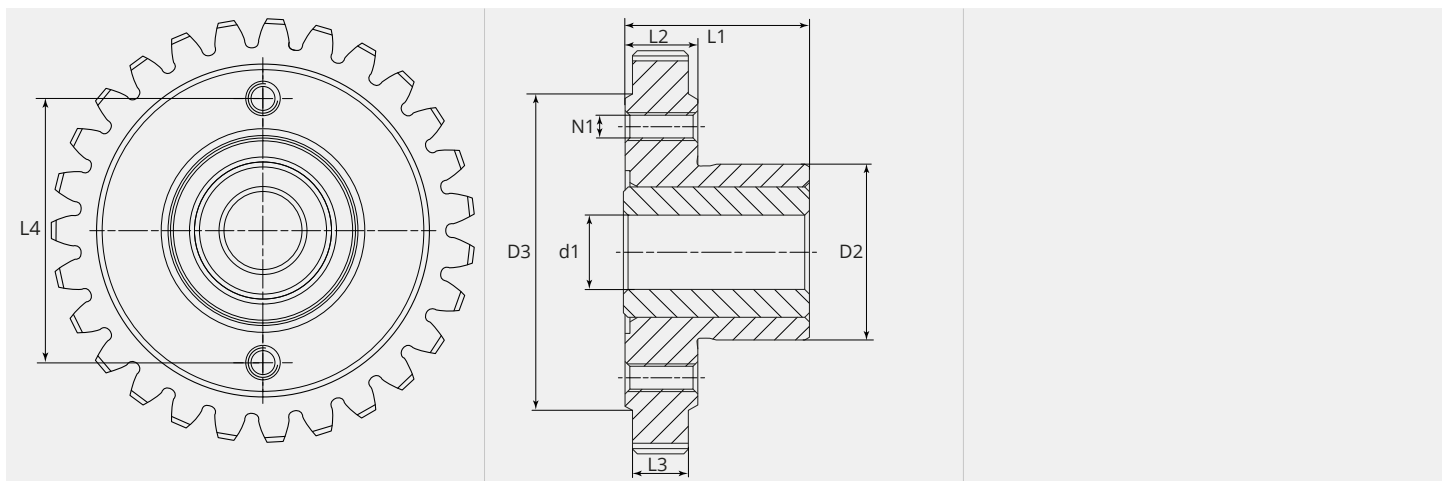
PRODUCT DESCRIPTION

Applies for series: ME9300, ME2000-37, ME2500-37, ME2600-37

TECHNICAL CHARACTERISTICS

Type of setting:	Axle shaft gear adaptor
Material:	Hardened steel
Surface:	Electroless nickel
Bearing:	Bronze bush
Feed Roll support:	Grinded
Driving pin type:	M3
Concentricity:	0.02
Specifics:	Do not use in pressure arm

DIMENSIONAL DRAWING





DIMENSIONAL DRAWING

L1 (mm):	20.00
L2 (mm):	8.00
L3 (mm):	6.00
L4 (mm):	27.00
D1 (Ø):	40
D2 (Ø):	18.90
D3 (Ø):	32.00
d1 (Ø):	8.00
N1:	M3