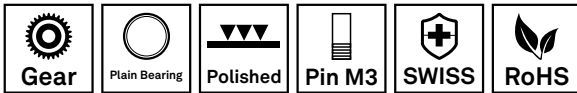


# Gear Adaptor Feed Roll with bronze bush, nickel plated, grinded

Applies for series: ME2000-40, ME2500-40, ME2600-40

Item number:	114945
Product weight (kg):	0.087 kg
Packing unit:	1



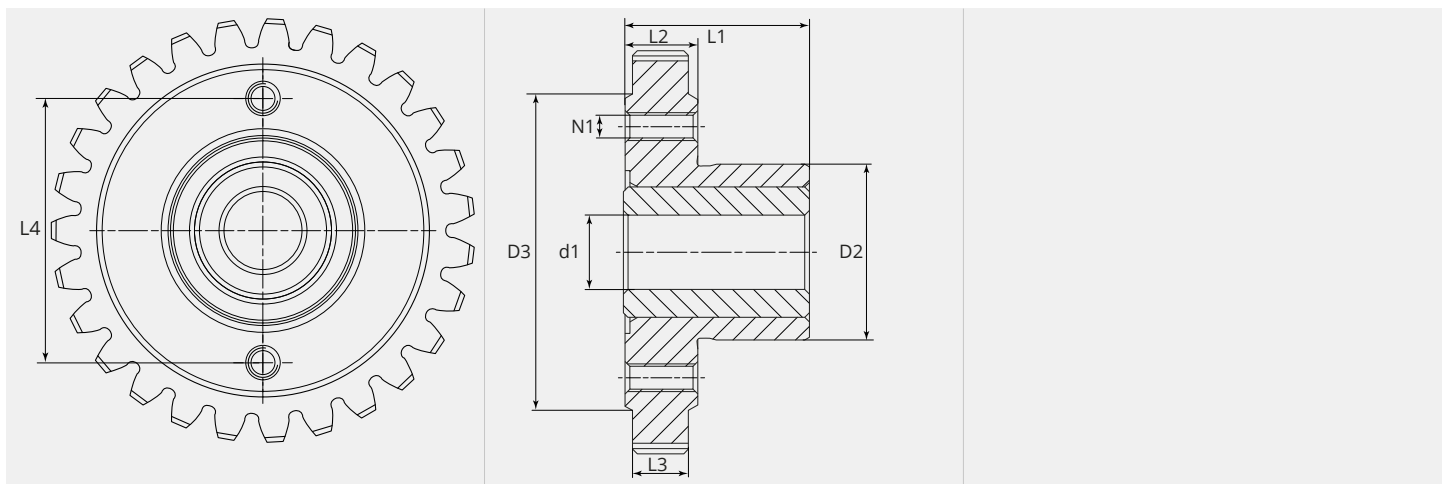
## PRODUCT DESCRIPTION

Applies for series: ME2000-40, ME2500-40, ME2600-40

## TECHNICAL CHARACTERISTICS

<b>Type of setting:</b>	Axle shaft gear adaptor
<b>Material:</b>	Hardened steel
<b>Surface:</b>	Electroless nickel
<b>Bearing:</b>	Bronze bush
<b>Feed Roll support:</b>	Grinded
<b>Driving pin type:</b>	M3
<b>Concentricity:</b>	0.02
<b>Specifics:</b>	Do not use in pressure arm

## DIMENSIONAL DRAWING





**DIMENSIONAL DRAWING**

<b>L1 (mm):</b>	20.00
<b>L2 (mm):</b>	8.00
<b>L3 (mm):</b>	6.00
<b>L4 (mm):</b>	27.00
<b>D1 (Ø):</b>	43
<b>D2 (Ø):</b>	18.90
<b>D3 (Ø):</b>	34.00
<b>d1 (Ø):</b>	8.00
<b>N1:</b>	M3