

Main Gear Drive nickel plated

Applies for series: Push-Pull and MEXDRIVE

Item number: 114243

Product weight (kg): 0.014 kg

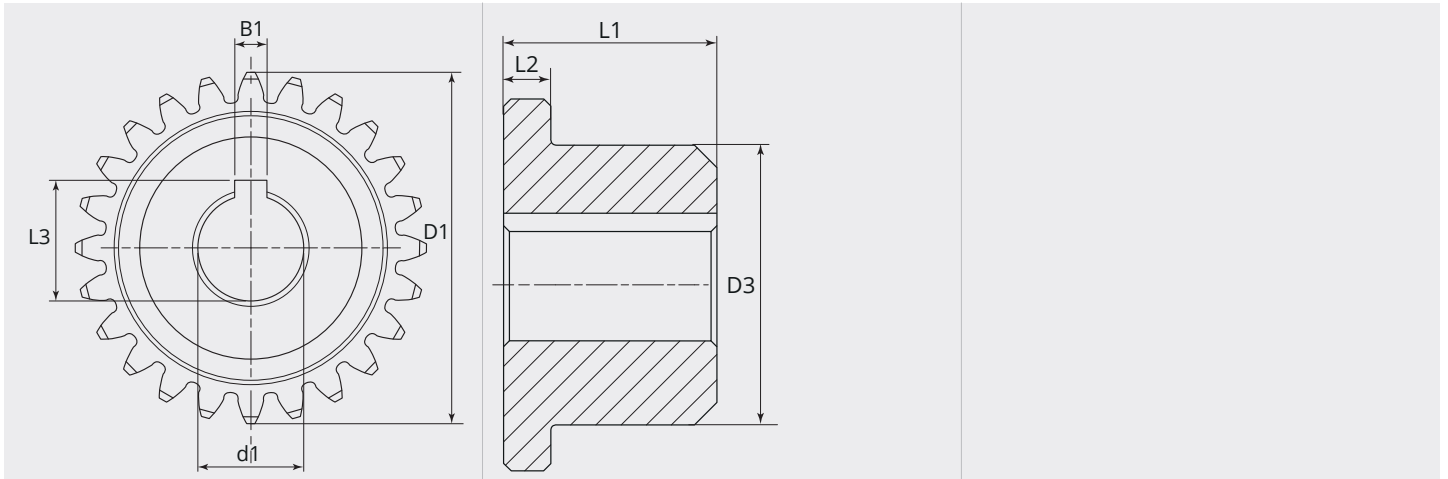


PRODUCT DESCRIPTION

Applies for series: Push-Pull and MEXDRIVE

TECHNICAL CHARACTERISTICS

Type of setting:	Motor shaft
Material:	Hardened steel
Surface:	Electroless nickel
Motor positions:	in the centre

DIMENSIONAL DRAWING

DIMENSIONAL DRAWING

L1 (mm):	9.60
L2 (mm):	4.60
L3 (mm):	9.50
B1 (mm):	2.00
D1 (Ø):	25.7
D3 (Ø):	13.50
d1 (Ø):	8.00