

Main Gear Drive for feed roll, black-finish, grinded

Applies for series: ME2500-40

Item number:	105006
Product weight (kg):	0.081 kg
Packing unit:	1



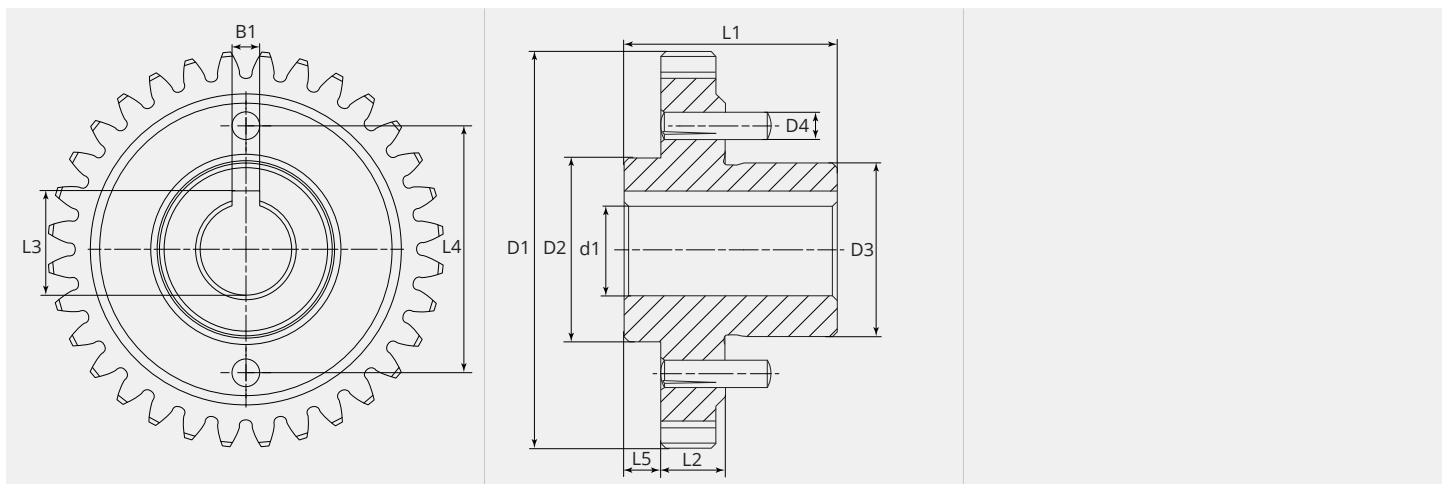
PRODUCT DESCRIPTION

Applies for series: ME2500-40

TECHNICAL CHARACTERISTICS

Type of setting:	Motor shaft
Material:	Hardened steel
Surface:	Black-finish
Isolated:	no
Feed Roll support:	Grinded
Motor/gear distance (mm):	12.5
Driving pin type:	W/O
Motor positions:	in the centre

DIMENSIONAL DRAWING



DIMENSIONAL DRAWING

L1 (mm):	20.60
L2 (mm):	6.90
L3 (mm):	11.40
L4 (mm):	27.00
L5 (mm):	1.50
B1 (mm):	3.00
D1 (Ø):	43.3
D2 (Ø):	21.00
D3 (Ø):	18.90
D4 (Ø):	3.00
d1 (Ø):	10.00