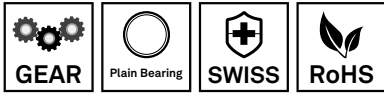


# Gear with bronze bush, black-finish

Applies for series: ME2000-40

Item number:	103568
Product weight (kg):	0.07 kg
Packing unit:	1

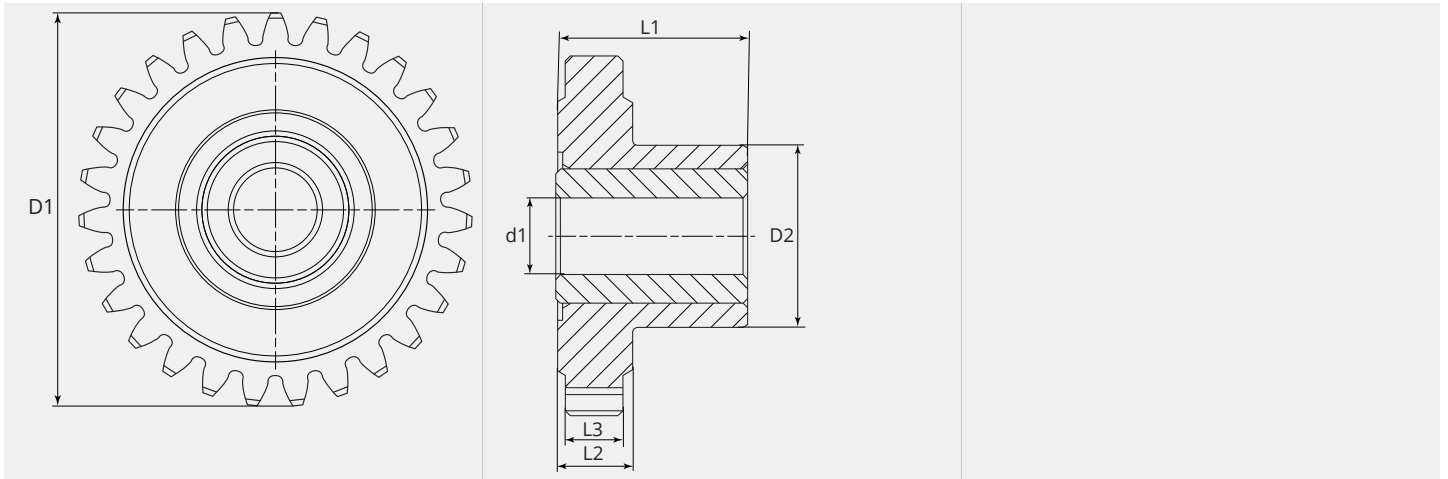


## PRODUCT DESCRIPTION

Applies for series: ME2000-40

## TECHNICAL CHARACTERISTICS

Type of setting:	Axle shaft gear adaptor
Material:	Hardened steel
Surface:	Black-finish
Bearing:	Bronze bush

**DIMENSIONAL DRAWING**

**DIMENSIONAL DRAWING**

L1 (mm):	20.00
L2 (mm):	8.00
L3 (mm):	6.00
D1 (Ø):	37.5
D2 (Ø):	19.00
d1 (Ø):	8.00