

4R-Wire Drive System compl. MEFRC2044-40 T.B.G.

Item number: 101350

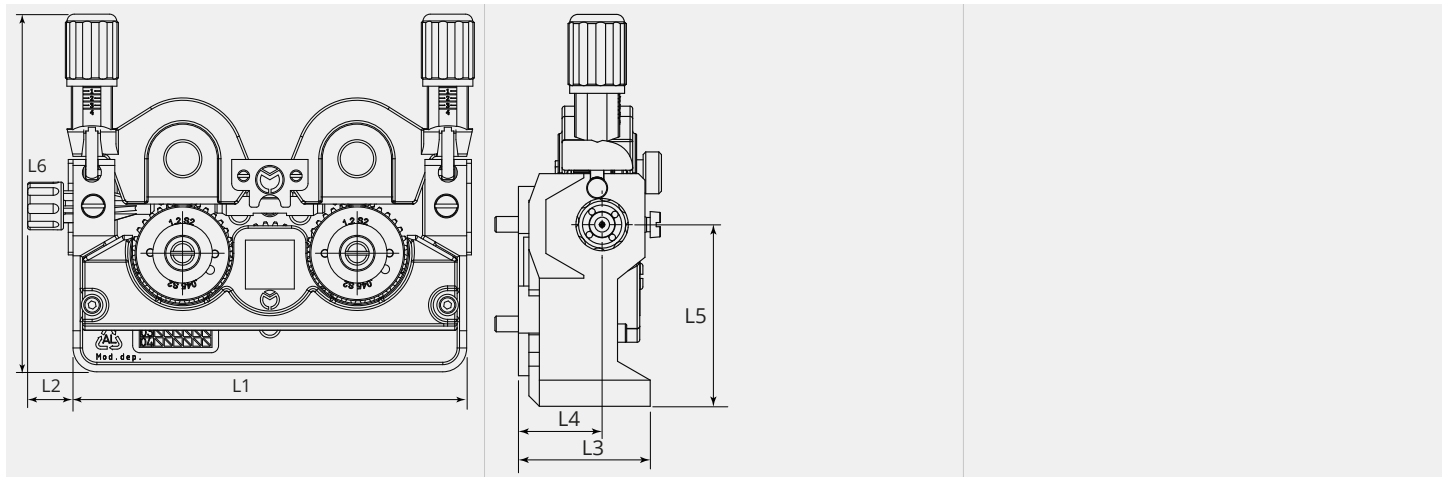
Packing unit: 1



TECHNICAL CHARACTERISTICS

Wire feedroll:	40
Quantity rolls:	4
Driven rolls:	4
Arrangement Rolls:	Top and bottom
Frame Material:	Aluminium
Pressurearm:	Aluminium
Motor positions:	12

DIMENSIONAL DRAWING





DIMENSIONAL DRAWING

L1 (mm):	165.0
L2 (mm):	19.0
L3 (mm):	50.4
L4 (mm):	32.0
L5 (mm):	69.5
L6 (mm):	150.0