

MIG/MAG Welding Gun Neck MER652WSC

Water cooled for 650A, Swan Neck Angle 22.5°, for 0.8 - 3.2 wire

Item number:	100259
Product weight (kg):	0.7592 kg
Packing unit:	1

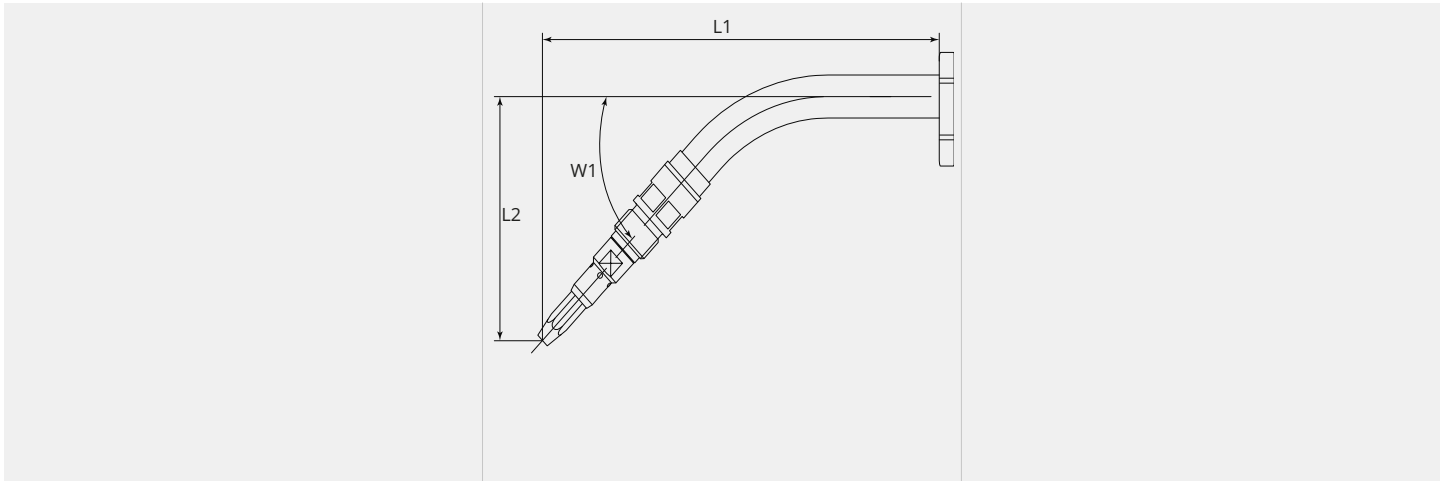


PRODUCT DESCRIPTION

Water cooled for 650A, Swan Neck Angle 22.5°, for 0.8 - 3.2 wire

TECHNICAL CHARACTERISTICS

Wire (mm):	0.8 - 3.2
Bending angle (°):	22.5
Max. current CO2 (A):	650
Duty Cycle CO2:	100
Max. current argon mixed gas (A):	400
Duty Cycle Argon mixed gas (%):	100
Cooling:	Water
Suitable:	MER652WSC

DIMENSIONAL DRAWING**DIMENSIONAL DRAWING**

L1 (mm):	223.5
L2 (mm):	57.0
W1 (°):	22.5