

# Euro Central Adaptor machine side with two bushes

Euro Central Adaptor

Item number:	100152
Product weight (kg):	0.297 kg
Packing unit:	1

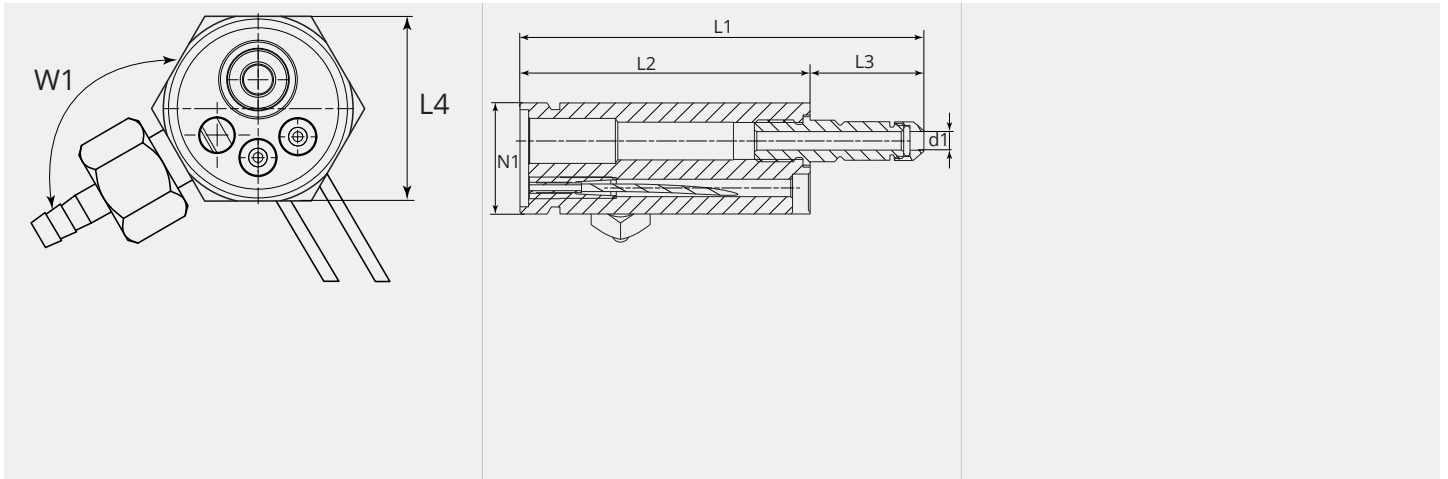


## PRODUCT DESCRIPTION

Euro Central Adaptor

## TECHNICAL CHARACTERISTICS

Version:	Hexagonal
Pin type:	None
Number of contact bushes:	2
Cooling:	Gas
Terminal side:	Machine
Hose package Connection:	Euro
Material:	Brass

**DIMENSIONAL DRAWING**

**DIMENSIONAL DRAWING**

<b>L1 (mm):</b>	77.0
<b>L2 (mm):</b>	45.0
<b>L3 (mm):</b>	32.0
<b>L4 (mm):</b>	32.0
<b>d1 (Ø):</b>	5.4
<b>W1 (°):</b>	90
<b>N1:</b>	M33x2.0