

# Pressure roll 40mm flat for pressure arm

Passend zu Serie: ME2000-40, ME2500-40, ME2600-40

Item number:	100075
Product weight (kg):	0.065 kg
Packing unit:	1

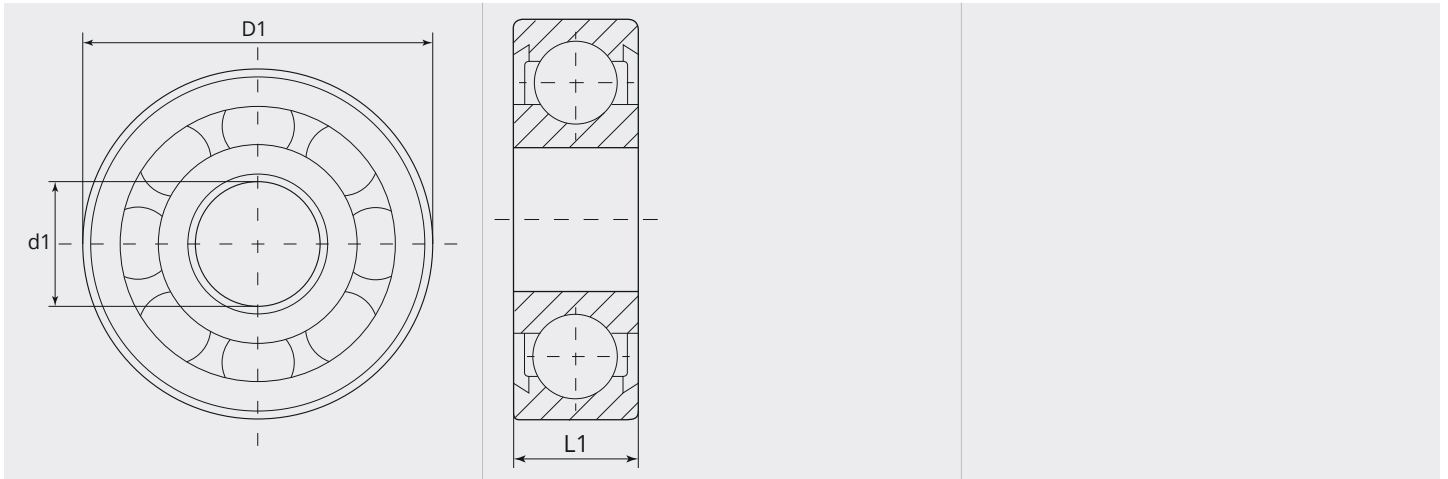


## PRODUCT DESCRIPTION

Passend zu Serie: ME2000-40, ME2500-40, ME2600-40

## TECHNICAL CHARACTERISTICS

Characteristics of the groove:	without groove
Material:	Hardened steel
Arrangement Rolls:	Top

**DIMENSIONAL DRAWING**

**DIMENSIONAL DRAWING**

<b>L1 (mm):</b>	12.00
<b>D1 (Ø):</b>	40
<b>d1 (Ø):</b>	17.00