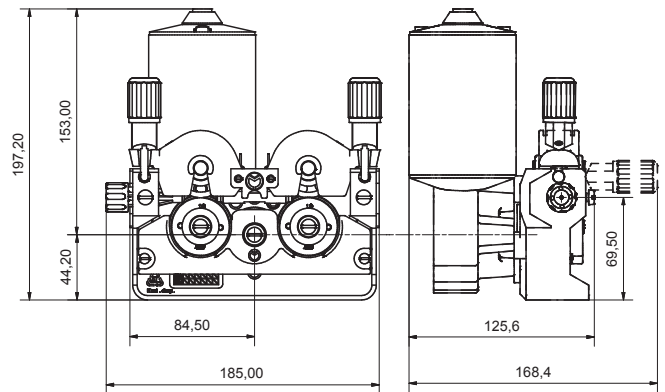




SERIES ME2000 4-ROLL 40mm WIRE DRIVE SYSTEM



Technical Data:

Drive Mechanism:	2 or 4 Drive Pinions Geared
Pressure Arm:	Aluminium / Glass Fibre Reinforced Plastic (GRP)
Feedplate:	Aluminium
Rolls:	40mm
Motor Positions:	12

Type	Drive Mechanism	Pressure Arm	Feed Roll Class	Item no.
MESRC 2040-40	2-Roll Driven Geared	GRP Pressure-Arm / side release	Standard	101450*
MEFRC 2040-40	2-Roll Driven Geared	GRP Pressure-Arm / front release	Standard	101400*
MEFRC 2042-40 Auto-Lift	2-Roll Driven Geared	Aluminium Pressure-Arm Auto-Lift / front release	Standard	100076*
MEFRC 2044-40 Auto-Lift	4-Roll Driven Geared	Aluminium Pressure-Arm Auto-Lift / front release	Standard	101300*
MEFRC 2044-40 T.B.G. Auto-Lift	4-Roll Driven Geared	Aluminium Pressure-Arm Auto-Lift / front release	T.B.G.	101350*

*Wire Drive System supplied complete, less Motor | T.B.G. (Top and Bottom Groove) Feed Rolls



Motor Options:

Type	Voltage [V]	Drive [rpm]	Torque [Nm] 60% Cycle	Torque [Nm] continuous operation	Item no.
KSV 5035-551	24	200	4.0	2.5	80030
KSV 5035-552	42	200	4.0	2.5	80031
KSV 5035-556 Tacho	42	200	4.0	2.5	80033
KSV 5035-601 Exten. Shaft	42	200	4.0	2.5	80045
KSV 5035-601 ME Tacho 1V	42	220	4.0	2.5	80047
KSV 5035-661 Encoder / air cooled	42	250	10.0	4.0	80138

other motors on request



Feed Rolls 40mm:

Type	Groove	Wire Ø	Item no. Standard	Item no. T.B.G.
Feed Roll V Groove 0.6 + 0.8mm	V	0.6 + 0.8mm	140101	-
Feed Roll V Groove 0.8 + 1.0mm	V	0.8 + 1.0mm	140102	-
Feed Roll V Groove 1.0 + 1.2mm	V	1.0 + 1.2mm	140103	140201
Feed Roll V Groove 1.2 + 1.6mm	V	1.2 + 1.6mm	140111	140202
Feed Roll U Groove 0.8 + 0.9mm A	U	0.8 + 1.0mm	140104	-
Feed Roll U Groove 1.0 + 1.2mm A	U	1.0 + 1.2mm	140105	140203
Feed Roll U Groove 1.2 + 1.6mm A	U	1.2 + 1.6mm	140106	140204
Feed Roll U Groove 2.4 + 3.2mm A	U	2.4 + 3.2mm	140107	140212
Feed Roll V Groove 1.0 + 1.2mm knurled	V knurled	1.0 + 1.2mm	-	140205
Feed Roll V Groove 1.0/1.2 + 1.4/1.6mm knurled	V knurled	1.0/1.2 + 1.4/1.6mm	140108	-
Feed Roll V Groove 1.4 + 1.6mm knurled	V knurled	1.4 + 1.6mm	-	140206
Feed Roll V Groove 1.4/1.6 + 2.0/2.4mm knurled	V knurled	1.4/1.6 + 2.0/2.4mm	140109	-

* other feed rolls see catalogue feed rolls or on request | T.B.G. (Top and Bottom Groove)

Mechafin AG
 Chrummacherstr. 3 | CH-8954 Geroldswil | Switzerland
 Telephone +41 44 749 30 60 | Facsimile +41 44 749 30 70
 Mail info@mechafin.ch | Web www.mechafin.com

Mechafin Ltd
 Leigh Street | High Wycombe | Buckinghamshire | HP11 2QU UK
 Telephone +44 1494 441 110 | Facsimile +44 1494 473 049
 Mail enquiries@mechafin.co.uk | Web www.mechafin.com

All descriptions included in this catalogue are correct at the time of printing and may be subject to change and alternation from time to time. The contents used in this catalogue are property of Mechafin AG. This means, they are protected copyrights and/or trademarks or otherwise protected by ownership law.