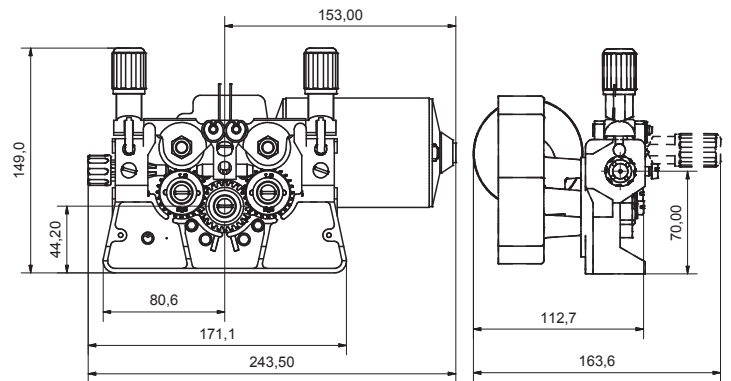




SERIES ME9900-GRP 4-ROLL 30mm WIRE DRIVE SYSTEM PLASTIC BODY



Technical Data:

Drive Mechanism:	2 or 4 Drive Pinions Geared
Pressure Arm:	Aluminium / Glass Fibre Reinforced Plastic GRP
Feed Plate:	GPR
Rolls:	30mm
Motor Positions:	9

Type	Drive Mechanism	Pressure Arm	Feed Roll Class	Item no.
MEFR 9940-GRP	2-Roll Driven Geared	GRP Pressure-Arm / front release	Standard	69400*
MEFR 9942-GRP Auto-Lift	2-Roll Driven Geared	Aluminium Pressure-Arm Auto-Lift / front release	Standard	69450*
MEFR 9944-GRP Auto-Lift	4-Roll Driven Geared	Aluminium Pressure-Arm Auto-Lift / front release	Standard	69205*
MEFR 9944-GRP T.B.G. Auto-Lift	4-Roll Driven Geared	Aluminium Pressure-Arm Auto-Lift / front release	T.B.G.	69350*
MESR 9940-GRP	2-Roll Driven Geared	GRP Pressure-Arm / side release	Standard	69500*
MESR 9942-GRP Auto-Lift	2-Roll Driven Geared	Aluminium Pressure-Arm Auto-Lift / side release	Standard	69550*
MESR 9944-GRP Auto-Lift	4-Roll Driven Geared	Aluminium Pressure-Arm Auto-Lift / side release	Standard	69800*
MESR 9944-GRP T.B.G. Auto-Lift	4-Roll Driven Geared	Aluminium Pressure-Arm Auto-Lift / side release	T.B.G.	69850*

* Wire Drive System supplied complete, less Motor | T.B.G. (Top and Bottom Groove) Feed Rolls



Motor Options:

Type	Voltage [V]	Drive [rpm]	Torque [Nm] 60% Cycle	Torque [Nm] continuous operation	Item no.
KSV 5035-551	24	200	4.0	2.5	80030
KSV 5035-552	42	200	4.0	2.5	80031
KSV 5035-556 Tacho	42	200	4.0	2.5	80033
KSV 5035-601 Exten. Shaft	42	200	4.0	2.5	80045
KSV 5035-601 ME Tacho 1V	42	220	4.0	2.5	80047
KSV 5035-661 Encoder / air cooled	42	250	10.0	4.0	80138

other motors on request

Feed Rolls 30mm:



Type	Groove	Wire Ø	Item no. Standard	Item no. T.B.G.
Feed Roll V Groove 0.6 + 0.8mm	V	0.6 + 0.8mm	77000	-
Feed Roll V Groove 0.8 + 1.0mm	V	0.8 + 1.0mm	77001	78010
Feed Roll V Groove 1.0 + 1.2mm	V	1.0 + 1.2mm	77002	78000
Feed Roll V Groove 1.2 + 1.6mm	V	1.2 + 1.6mm	77003	78001
Feed Roll U Groove 0.8 + 0.9mm A	U	0.8 + 0.9mm	77004	78016
Feed Roll U Groove 1.0 + 1.2mm A	U	1.0 + 1.2mm	77005	78002
Feed Roll U Groove 1.2 + 1.6mm A	U	1.2 + 1.6mm	77006	78003
Feed Roll U Groove 2.4 + 3.2mm A	U	2.4 + 3.2mm	77007	78024
Feed Roll V Groove 1.0 + 1.2mm knurled	V knurled	1.0 + 1.2mm	-	78004
Feed Roll V Groove 1.0/1.2 + 1.4/1.6mm knurled	V knurled	1.0/1.2 + 1.4/1.6mm	77008	-
Feed Roll V Groove 1.4 + 1.6mm knurled	V knurled	1.4 + 1.6mm	-	78005
Feed Roll V Groove 1.4/1.6 + 2.0/2.4mm knurled	V knurled	1.4/1.6 + 2.0/2.4mm	77009	-

other feed rolls see catalogue feed rolls or on request | T.B.G. (Top and Bottom Groove)

Mechafin AG
 Chrummacherstr. 3 | CH-8954 Geroldswil | Switzerland
 Telephone +41 44 749 30 60 | Facsimile +41 44 749 30 70
 Mail info@mechafin.ch | Web www.mechafin.com

Mechafin Ltd
 Leigh Street | High Wycombe | Buckinghamshire | HP11 2QU UK
 Telephone +44 1494 441 110 | Facsimile +44 1494 473 049
 Mail enquiries@mechafin.co.uk | Web www.mechafin.com

All descriptions included in this catalogue are correct at the time of printing and may be subject to change and alternation from time to time. The contents used in this catalogue are property of Mechafin AG. This means, they are protected copyrights and/or trademarks or otherwise protected by ownership law.