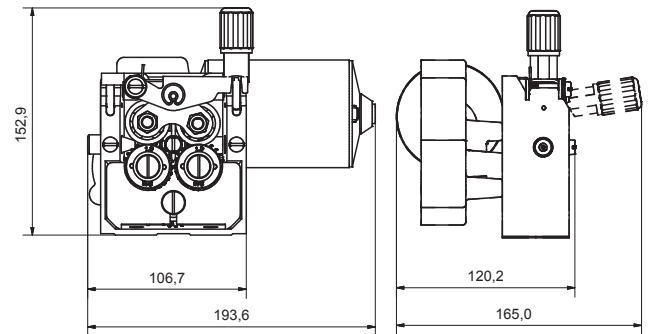




SERIES ME9800 4-ROLL 30mm WIRE DRIVE SYSTEM



Technical Data:

Drive Mechanism:	2 or 4 Drive Pinions Geared
Pressure Arm:	Steel
Feed Plate:	Aluminium
Rolls:	30mm
Motor Positions:	6

Type	Drive Mechanism	Pressure Arm	Feed Roll Class	Item no.
ME 9842	2-Roll Driven Geared	Steel Pressure-Arm Auto-Lift / front release	Standard	66966*
ME 9844 Auto-Lift	4-Roll Driven Geared	Steel Pressure-Arm Auto-Lift / front release	Standard	66999*
ME 9844 T.B.G. Auto-Lift	4-Roll Driven Geared	Steel Pressure-Arm Auto-Lift / front release	T.B.G.	66980*

* Wire Drive System supplied complete, less Motor | T.B.G. (Top and Bottom Groove) Feed Rolls



Motor Options:

Type	Voltage [V]	Drive [rpm]	Torque [Nm] 60% Cycle	Torque [Nm] continuous operation	Item no.
KSV 5035-551	24	200	4.0	2.5	80030
KSV 5035-552	42	200	4.0	2.5	80031
KSV 5035-556 Tacho	42	200	4.0	2.5	80033
KSV 5035-601 Exten. Shaft	42	200	4.0	2.5	80045
KSV 5035-601 ME Tacho 1V	42	220	4.0	2.5	80047

other motors on request

Feed Rolls 30mm:



Type	Groove	Wire Ø	Item no. Standard	Item no. T.B.G.
Feed Roll V Groove 0.6 + 0.8mm	V	0.6 + 0.8mm	74238	-
Feed Roll V Groove 0.8 + 1.0mm	V	0.8 + 1.0mm	74129	71000
Feed Roll V Groove 1.0 + 1.2mm	V	1.0 + 1.2mm	74109	71001
Feed Roll V Groove 1.2 + 1.6mm	V	1.2 + 1.6mm	74102	71002
Feed Roll U Groove 0.8 + 0.9mm A	U	0.8 + 0.9mm	74919	-
Feed Roll U Groove 1.0 + 1.2mm A	U	1.0 + 1.2mm	74796	71013
Feed Roll U Groove 1.2 + 1.6mm A	U	1.2 + 1.6mm	74797	71014
Feed Roll U Groove 2.4 + 3.2mm A	U	2.4 + 3.2mm	74798	71015
Feed Roll V Groove 1.0 + 1.2mm knurled	V knurled	1.0 + 1.2mm	74289	-
Feed Roll V Groove 1.0/1.2 + 1.4/1.6mm knurled	V knurled	1.0/1.2 + 1.4/1.6mm	74913	71006
Feed Roll V Groove 1.4 + 1.6mm knurled	V knurled	1.4 + 1.6mm	74251	-
Feed Roll V Groove 1.4/1.6 + 2.0/2.4mm knurled	V knurled	1.4/1.6 + 2.0/2.4mm	-	71008

other feed rolls see catalogue feed rolls or on request | T.B.G. (Top and Bottom Groove)

Mechafin AG
 Chrummacherstr. 3 | CH-8954 Geroldswil | Switzerland
 Telephone +41 44 749 30 60 | Facsimile +41 44 749 30 70
 Mail info@mechafin.ch | Web www.mechafin.com

Mechafin Ltd
 Leigh Street | High Wycombe | Buckinghamshire | HP11 2QU UK
 Telephone +44 1494 441 110 | Facsimile +44 1494 473 049
 Mail enquiries@mechafin.co.uk | Web www.mechafin.com

All descriptions included in this catalogue are correct at the time of printing and may be subject to change and alternation from time to time. The contents used in this catalogue are property of Mechafin AG. This means, they are protected copyrights and/or trademarks or otherwise protected by ownership law.