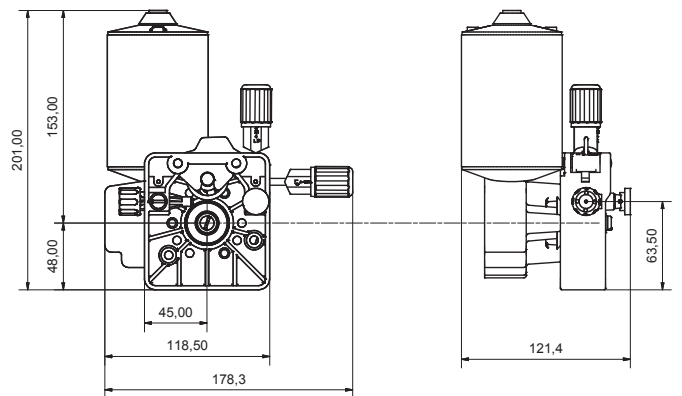




SERIES ME700 2-ROLL 30mm WIRE DRIVE SYSTEM



Technical Data:

Drive Mechanism:	1 Drive Pinions / 2 Drive Pinions Geared
Pressure Arm:	Steel / Glass Fibre Reinforced Plastic
Feed Plate:	Glass Fibre Reinforced Plastic (GRP)
Rolls:	30mm
Motor Positions:	9

Type	Drive Mechanism	Pressure Arm	Feed Roll Class	Item no.
ME 8720	1-Roll Driven	GRP Pressure-Arm	with Keyway	62101*
ME 8721	1-Roll Driven	GRP Pressure-Arm	with Keyway	62200*
ME 8721 Auto-Lift	1-Roll Driven	Steel Pressure-Arm Auto-Lift	with Keyway	62112*
ME 8722 Auto-Lift	2-Roll Driven Geared	Steel Pressure-Arm Auto-Lift	Standard	62029*
ME 8722 T.B.G. Auto-Lift	2-Roll Driven Geared	Steel Pressure-Arm Auto-Lift	T.B.G.	62127*

*Wire Drive System supplied complete, less Motor | T.B.G. (Top and Bottom Groove) Feed Rolls



Motor Options:

Type	Voltage [V]	Drive [rpm]	Torque [Nm] 60% Cycle	Torque [Nm] continuous operation	Item no.	
KSV 4030-211 ECON	24	150	1.5	1.0	80059	ME8720 only
KSV 4030-213 ECON	24	200	1.5	1.0	80060	ME8720 only
KSV 4030-262	24	200	3.0	2.0	80034	
KSV 4030-186	42	200	3.0	2.0	80025	
KSV 5035-484	24	160	1.5	1.0	80023	
KSV 5035-483	24	200	3.5	2.0	80037	
KSV 5035-486	42	230	3.5	2.0	80039	
KSV 5035-389 Tacho	24	200	3.5	2.0	80042	

other motors on request



Feed Rolls 30mm:

Type	Groove	Wire Ø	Item no. with Keyway	Item no. Standard	Item no. T.B.G.
Feed Roll V Groove 0.6 + 0.8mm	V	0.6 + 0.8mm	62020	74238	-
Feed Roll V Groove 0.8 + 1.0mm	V	0.8 + 1.0mm	62021	74129	71000
Feed Roll V Groove 1.0 + 1.2mm	V	1.0 + 1.2mm	62022	74109	71001
Feed Roll V Groove 1.2 + 1.6mm	V	1.2 + 1.6mm	62255	74102	71002
Feed Roll U Groove 0.8 + 0.9mm A	U	0.8 + 0.9mm	62016	74919	-
Feed Roll U Groove 1.0 + 1.2mm A	U	1.0 + 1.2mm	62024	74796	71013
Feed Roll U Groove 1.2 + 1.6mm A	U	1.2 + 1.6mm	62025	74797	71014
Feed Roll U Groove 2.4 + 3.2mm A	U	2.4 + 3.2mm	-	74798	71015
Feed Roll V Groove 1.0 + 1.2mm knurled	V knurled	1.0 + 1.2mm	62028	74914	-
Feed Roll V Groove 1.0/1.2 + 1.4/1.6mm knurled	V knurled	1.0/1.2 + 1.4/1.6mm	62023	74289	-
Feed Roll V Groove 1.4 + 1.6mm knurled	V knurled	1.4 + 1.6mm	62175	74913	71006
Feed Roll V Groove 1.4/1.6 + 2.0/2.4mm knurled	V knurled	1.4/1.6 + 2.0/2.4mm	-	74251	-

other feed rolls see catalogue feed rolls or on request | T.B.G. (Top and Bottom Groove)

Mechafin AG
 Chrummacherstr. 3 | CH-8954 Geroldswil | Switzerland
 Telephone +41 44 749 30 60 | Facsimile +41 44 749 30 70
 Mail info@mechafin.ch | Web www.mechafin.com

Mechafin Ltd
 Leigh Street | High Wycombe | Buckinghamshire | HP11 2QU UK
 Telephone +44 1494 441 110 | Facsimile +44 1494 473 049
 Mail enquiries@mechafin.co.uk | Web www.mechafin.com

All descriptions included in this catalogue are correct at the time of printing and may be subject to change and alternation from time to time. The contents used in this catalogue are property of Mechafin AG. This means, they are protected copyrights and/or trademarks or otherwise protected by ownership law.