



## ME452WSC WATER SUPER-COOLED WELDING TORCHES MIG/MAG 450 Amp.



*These torches are characterized by the following features:*

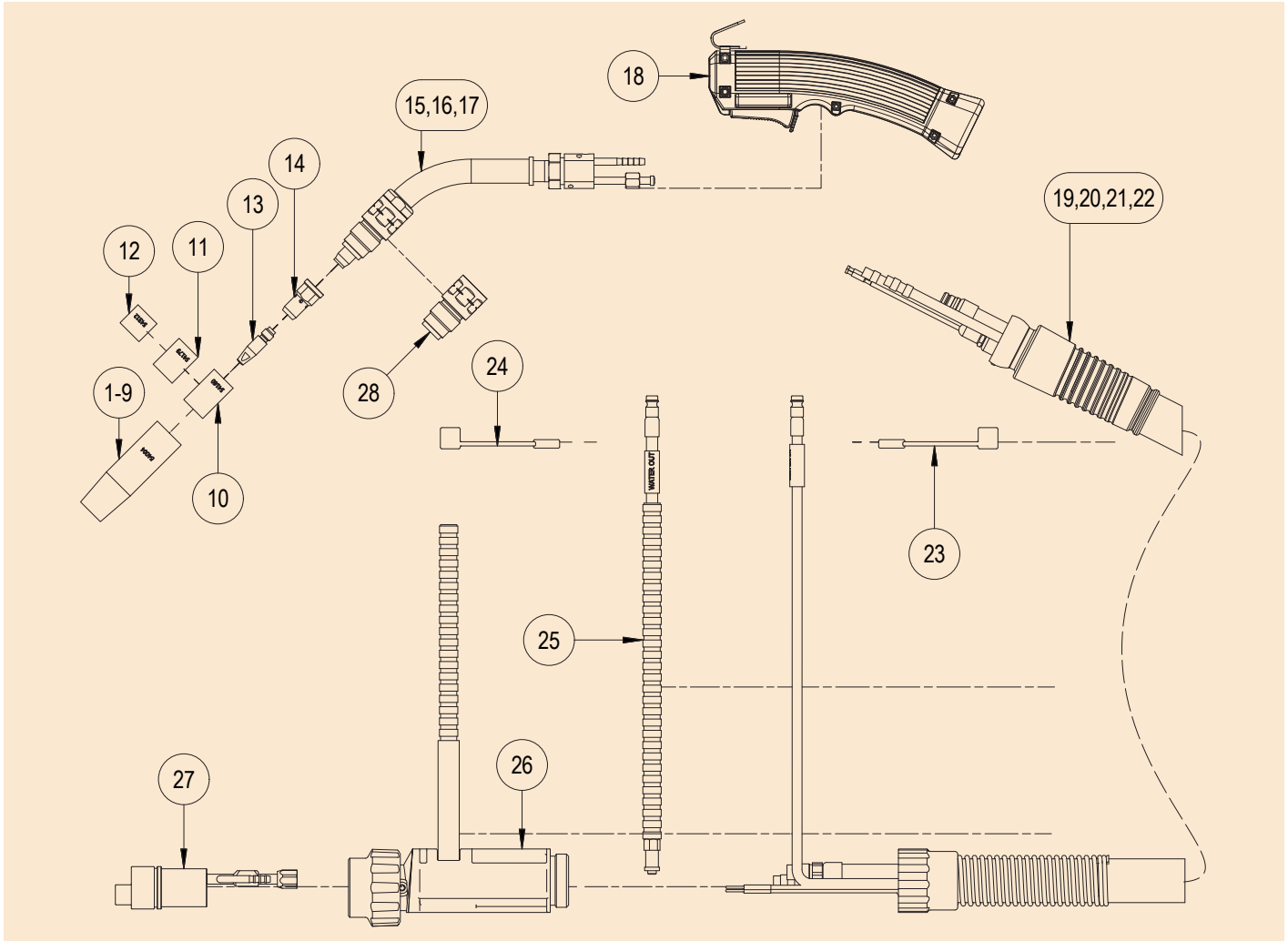
- Ergonomic and technically advanced, 100% reliable
- Globally recognized using top quality
- New ergonomically shaped handles for best accessibility and fatigue-free work
- Handle with ball joint for motion flexibility - excellent handling
- Optimal torch cooling over long periods
- Best ignition even with thin wires
- Versatility due to the Euro Central Adapter System
- Different handles available upon request
- Swan Neck in 180° / 60° / 45°

Model	ME452WSC
Maximum current CO <sub>2</sub>	450 A
Duty Cycle CO <sub>2</sub>	80%
Maximum current Argon R.G.M.	360 A
Duty Cycle Argon	80%
Wire Ø	0.8 - 2.4 mm

Type	Item no. - 3.0m	Item no. - 3.5m	Item no. - 4.0m	Item no. - 4.5m
ME452WSC-N Spring Pins	116771	116772	116773	116774

Different lengths available upon request

## Replacement Parts:



Pos.	Item no.	Description	pcs.
1	54004	Nozzle spray HD ID 15mm	1
2	54006	Nozzle dip, long conical ID 15mm	1
3	54003	Nozzle dip, short conical ID 15.5mm	1
4	54011	Nozzle spray HD long ID 15mm	1
5	54007	Nozzle parallel HD ID 19.2mm	1
6	54005	Nozzle spot ID 22mm	1
7	54022	Nozzle pulse HD ID 15mm	1
8	54028	Nozzle spray small bore ID 10mm	1
9	54008	Nozzle spray small bore ID 13mm	1
10	54160	Nozzle insulator Ø 19 x 16.5 L = 30.5	5
11	54179	Nozzle insulator Ø 19 x 16.5 L = 26	5
12	54312	Nozzle insulator Ø 19 x 16.5 L = 18	5
13	57838	Contact tip M8 copsil 1.0 / 0.8 aluminium round	10
14	54175	Gas diffuser M8 ME/MER452 WSC	5
15	54400	Swan neck ME452 WSC - 45° compl.	1
16	54401	Swan neck ME452 WSC - 60° compl.	1
17	54402	Swan neck ME452 WSC - 180° compl.	1

Pos.	Item no.	Description	pcs.
18 <sup>1</sup>	117692	Handle kit size 1-3 with ball joint	1
19	116980	Hose cable assembly 452WSC, spring pins, ball joint, 3.0m	1
20	116981	Hose cable assembly 452WSC, spring pins, ball joint, 3.5m	1
21	116982	Hose cable assembly 452WSC, spring pins, ball joint, 4.0m	1
22	116983	Hose cable assembly 452WSC, spring pins, ball joint, 4.5m	1
23	115822	Water cap, blue	1
24	115823	Water cap, red	1
25	76054	Water outlet hose compl.	1
26	117695	Central adapter support, water cooled, kit	1
27	57341	2-pin central adapter M12 x 1. compl. spring pins	1
28	54425	Service kit swan neck ME452 WSC + MER452 WSC	1

<sup>1</sup> = for other handle kits refer to data sheet: Handle kits

Gas Diffuser



54175 M8

Liners Hard Wire



57195 - 3.0m 0.8 - 1.2 blue, steel wire
57196 - 3.5m 0.8 - 1.2 blue, steel wire
57197 - 4.0m 0.8 - 1.2 blue, steel wire
57198 - 4.5m 0.8 - 1.2 blue, steel wire
57261 - 3.0m 1.4 - 2.0 red, steel wire
57262 - 3.5m 1.4 - 2.0 red, steel wire
57263 - 4.0m 1.4 - 2.0 red, steel wire
57264 - 4.5m 1.4 - 2.0 red, steel wire

57281 - 3.0m 1.2 - 1.4 grey, steel wire
57282 - 3.5m 1.2 - 1.4 grey, steel wire
57283 - 4.0m 1.2 - 1.4 grey, steel wire
57284 - 4.5m 1.2 - 1.4 grey, steel wire
57381 - 3.0m 2.0 - 3.2 yellow, steel wire
57382 - 3.5m 2.0 - 3.2 yellow, steel wire
57383 - 4.0m 2.0 - 3.2 yellow, steel wire
57384 - 4.5m 2.0 - 3.2 yellow, steel wire

Liners Soft Wire



57155 - 3.0m 0.8 - 1.0 black, aluminium wire
57156 - 3.5m 0.8 - 1.0 black, aluminium wire
57157 - 4.0m 0.8 - 1.0 black, aluminium wire
57158 - 4.5m 0.8 - 1.0 black, aluminium wire
57250 - 3.0m 1.2 - 2.0 red, aluminium wire
57251 - 3.5m 1.2 - 2.0 red, aluminium wire
57252 - 4.0m 1.2 - 2.0 red, aluminium wire
57253 - 4.5m 1.2 - 2.0 red, aluminium wire

57200 - 3.0m 1.0 - 1.2 blue, aluminium wire
57201 - 3.5m 1.0 - 1.2 blue, aluminium wire
57202 - 4.0m 1.0 - 1.2 blue, aluminium wire
57203 - 4.5m 1.0 - 1.2 blue, aluminium wire
114706 - 3.0m 2.0 - 3.2 yellow, aluminium wire
114707 - 3.5m 2.0 - 3.2 yellow, aluminium wire
114708 - 4.0m 2.0 - 3.2 yellow, aluminium wire
114709 - 4.5m 2.0 - 3.2 yellow, aluminium wire

Type

Contact Tips

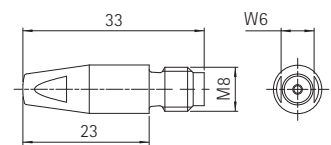
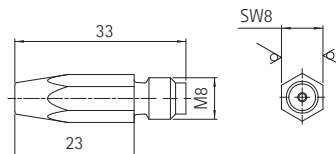


**Contact Tip M8 hexagonal (pure copper)**  
MOQ = 10 pcs.

57800 - M8 0.8 hexagonal
57801 - M8 0.9 hexagonal
57802 - M8 1.0 / 0.8 aluminium hexagonal
57803 - M8 1.2 / 1.0 aluminium hexagonal
57804 - M8 1.4 / 1.2 aluminium hexagonal
57805 - M8 1.6 / 1.4 aluminium hexagonal
57834 - M8 1.8 / 1.6 aluminium hexagonal
57806 - M8 2.0 / 1.8 aluminium hexagonal
57807 - M8 2.4 / 2.0 aluminium hexagonal

**Contact Tip M8 round, copsil (copper-silver)**  
MOQ = 10 pcs.

57835 - M8 copsil 0.8 round
57836 - M8 copsil 0.9 round
57837 - M8 copsil 1.0 / 0.8 aluminium round
57838 - M8 copsil 1.2 / 1.0 aluminium round
57839 - M8 copsil 1.4 / 1.2 aluminium round
57840 - M8 copsil 1.6 / 1.4 aluminium round
-
57841 - M8 copsil 2.0 / 1.8 aluminium round
57842 - M8 copsil 2.4 / 2.0 aluminium round



	Pos.	Item no.	Description
 	1	54004	Nozzle spray HD ID 15mm
 	2	54006	Nozzle dip, long conical ID 15mm
 	3	54003	Nozzle dip, short conical ID 15.5mm
 	4	54011	Nozzle spray HD long ID 15mm
 	5	54007	Nozzle parallel HD ID 19.2mm
 	6	54005	Nozzle spot ID 22mm
 	7	54022	Nozzle pulse HD ID 15mm
 	8	54028	Nozzle spray small bore ID 10mm
 	9	54008	Nozzle spray small bore ID 13mm

- Nozzle insulator item no.: 54160  
 use for Gas Nozzle item no.:  
 54004, 54006, 54003, 54011, 54007, 54005

- Nozzle insulator item no.:54179  
 use for Gas Nozzle item no.:54022

- Nozzle insulator item no.:54312  
 use for Gas Nozzle item no.:54022

**Mechafin AG**  
 Chrummacherstr. 3 | CH-8954 Geroldswil | Switzerland  
 Telephone +41 44 749 30 60 | Facsimile +41 44 749 30 70  
 Mail [info@mechafin.ch](mailto:info@mechafin.ch) | Web [www.mechafin.com](http://www.mechafin.com)

**Mechafin Ltd**  
 Leigh Street | High Wycombe | Buckinghamshire | HP11 2QU UK  
 Telephone +44 1494 441 110 | Facsimile +44 1494 473 049  
 Mail [enquiries@mechafin.co.uk](mailto:enquiries@mechafin.co.uk) | Web [www.mechafin.com](http://www.mechafin.com)

All descriptions included in this catalogue are correct at the time of printing and may be subject to change and alternation from time to time. The contents used in this catalogue are property of Mechafin AG. This means, they are protected copyrights and/or trademarks or otherwise protected by ownership law.