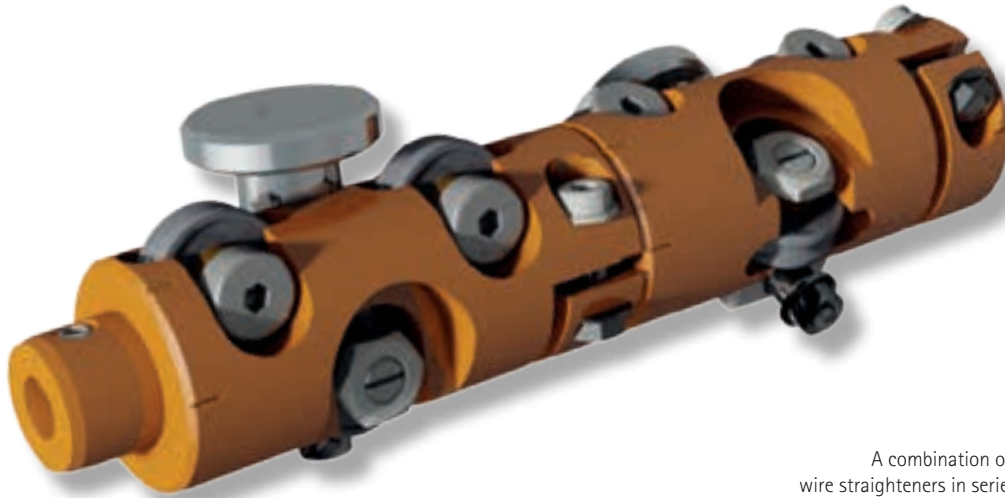


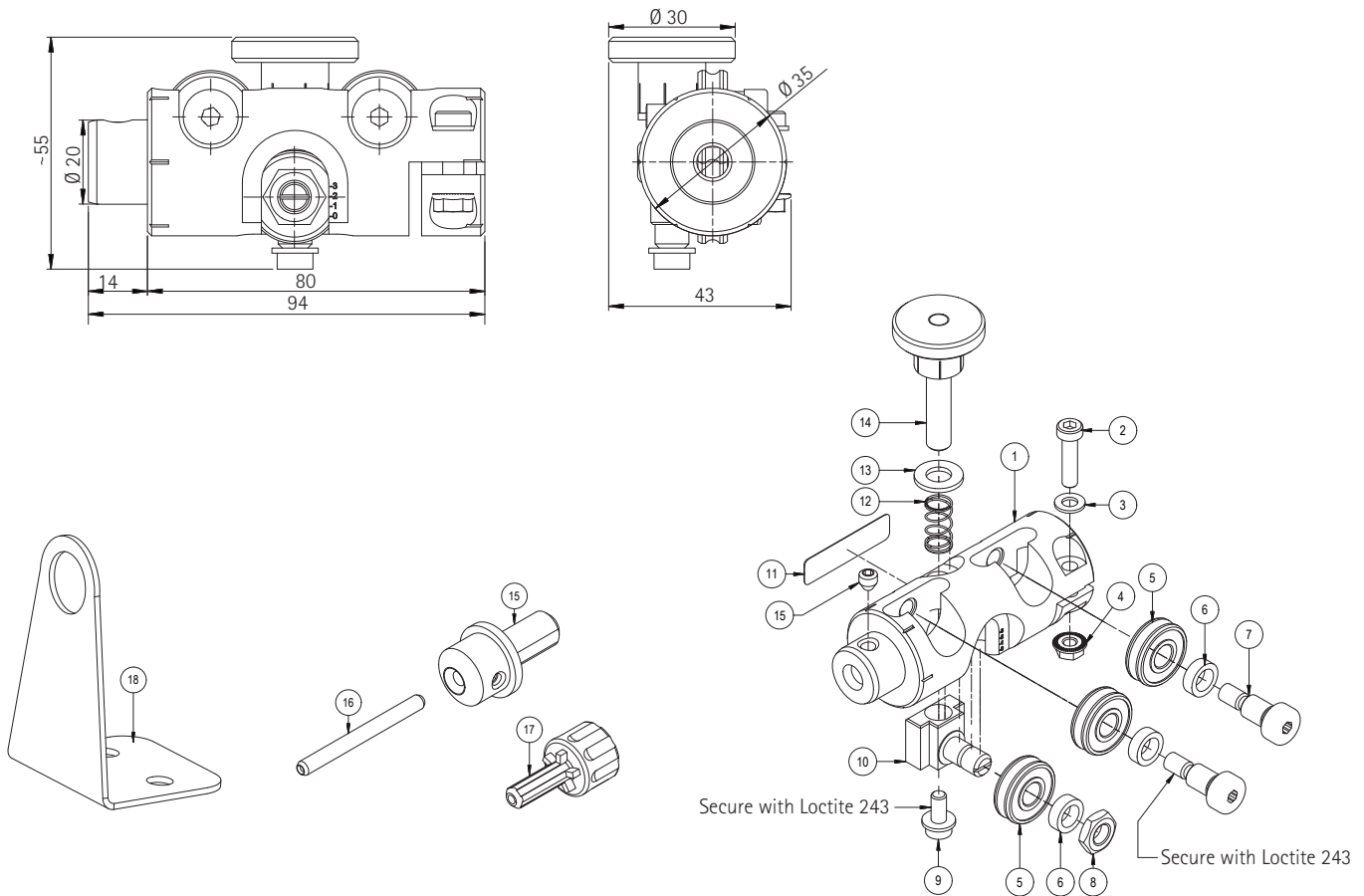


WIRE STRAIGHTENER MEDR214-22



A combination of several wire straighteners in series allows a perfect 360° wire straightening.

Item no.	Description
118430	Wire straightener MEDR214-22


Parts:

Item no.	Description	Pos.
118421	Casing wire straightener round	1
116367	Cylinder screw DIN 912 - M5 x 16	2
116913	Washer DIN125 - A 5.3	3
118502	Hexagon locking nut M5 black	4
100578	Groove ball bearing	5
100612	Spacer 4mm	6
118496	Cylinder-fitting screw ISO7379 - M6 x 1 x Ø 8 x 10	7
116162	Hex-Nut M8 x 0.5d	8
118426	Head screws with hexagon socket and washer M5 x 10	9
118422	Slider wire straightener round	10
116408	Sticker Mechafin	11
118432	Spring 056-896-173F	12
72506	Washer DIN125 - A8.4	13
118427	Clamping bolt wire straightener round	14
118428	Connector to WDS ME99 und ME20	15
70376	Inlet guide tube ID2.0x54	16
118506	Inlet guide for wire straightener round	17
118429	Support angle wire straightener round	18

Mechafin AG

Chrummacherstr. 3 | CH-8954 Geroldswil | Switzerland
 Telephone +41 44 749 30 60 | Facsimile +41 44 749 30 70
 Mail info@mechafin.ch | Web www.mechafin.com

Mechafin Ltd

Leigh Street | High Wycombe | Buckinghamshire | HP11 2QU UK
 Telephone +44 1494 441 110 | Facsimile +44 1494 473 049
 Mail enquiries@mechafin.co.uk | Web www.mechafin.com

All descriptions included in this catalogue are correct at the time of printing and may be subject to change and alternation from time to time. The contents used in this catalogue are property of Mechafin AG. This means, they are protected copyrights and/or trademarks or otherwise protected by ownership law.