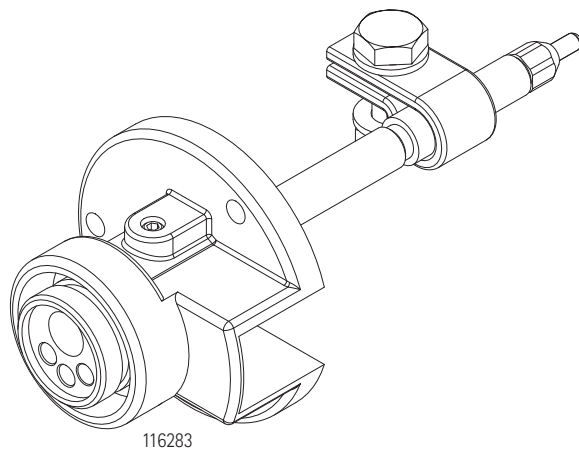
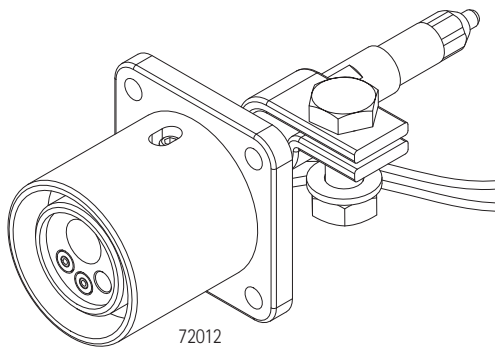
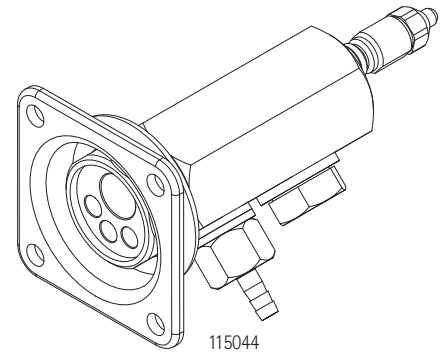
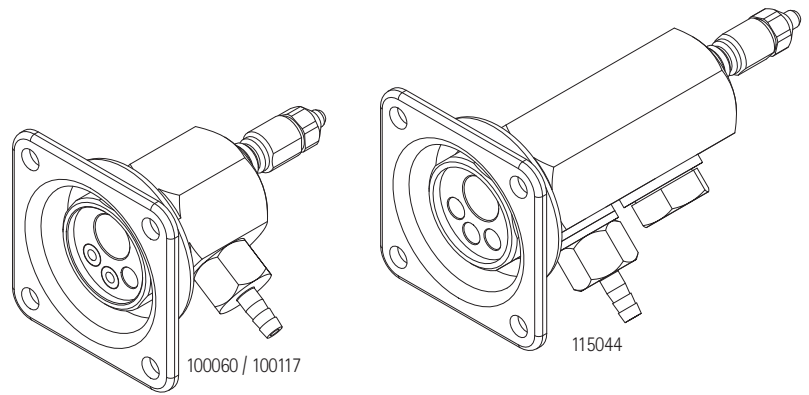




EURO CENTRAL ADAPTER KIT MACHINE SIDE



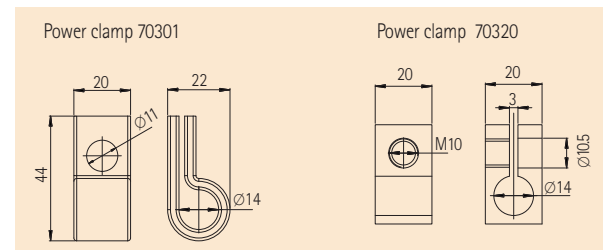
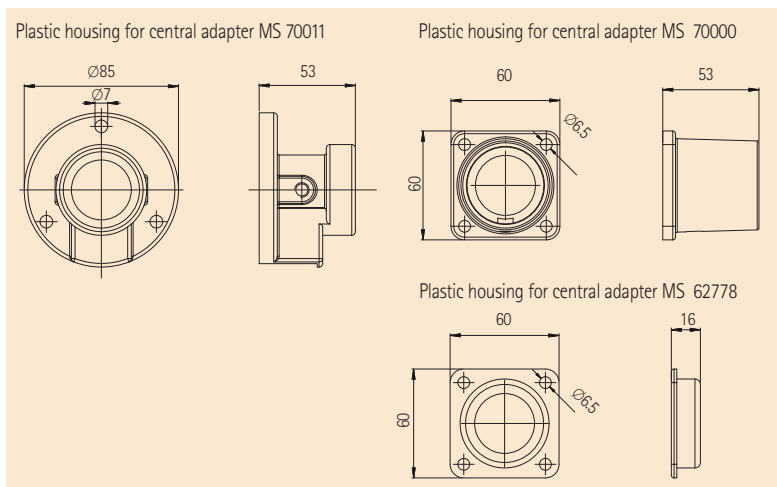
These central adapters are characterized by the following features:

- Precision manufacturing
- 100% reliable
- Highest quality with worldwide approval
- Various electrical and data connections to serve the requirements of the customer
- Gas and power connections optimized for your requirements
- Various plastic housings
- Customer specific upon request

Central adapter Kit:

Item no.	Designation	Pin	Central adapter		Wire guide tube		ID	Guide tube		Current terminal	Sleeve
			length [mm]	nipple	length [mm]	thread [mm]		length [mm]	material Steel / Alu		
100028	Central adapter hex.	2	83.5	-	22.5	M12x1.5	-	-	-	-	-
61032	Central adapter	2	32	180°	-	M10	-	-	-	-	61002
72068	Central adapter	2	45	180°	82	M12x1	-	-	-	70301	70000
72050	Central adapter	2	45	180°	63.5	M12x1.5	2-3	105	ST	70320	70011
72061	Central adapter	2	45	180°	81.5	M12x1.5	1.9	120	AL	70320	70000
72015	Central adapter	2	45	180°	88.5	M12x1	-	-	-	70301	70000
116283	Central adapter kit	2	45	180°	147	M12x1.5	2	186	ST	70301	70011
							3	186	ST		
72082	Central adapter	2	45	-	22.5	M12x1.5	-	-	-	-	-
70010	Central adapter	2	45	180°	-	M12x1.5	-	-	-	-	-
61019	Central adapter	2	32	180°	72.5	M10	1.5	108.5	ST	70301	61002
105001	Central adapter	2	83.5	-	22.5	M12x1.5	2	93	ST	-	62778
70006	Central adapter	2	45	180°	-	M12x1	-	-	-	-	-
72051	Central adapter	2	45	180°	74	M12x1.5	2	115	ST	70320	70011
70309	Central adapter	4	45	90°	-	M14x2	-	-	-	-	-
72040	Central adapter	2	45	90°	-	M12x1.5	-	-	-	-	70008
72022	Central adapter	2	45	180°	80.5	M12x1.5	2	122	ST	70301	70000
72091	Central adapter	2	83.5	-	-	M12x1.5	-	-	-	-	-
100059	Central adapter	2	45	-	12	M12x1.5	2	43	ST	-	62778
72007	Central adapter	4	45	90°	93.5	M12x1.5	1.5	119.1	ST	70301	70000
72026	Central adapter	2	45	180°	74.5	M12x1.5	2	115.5	ST	70301	70000
70072	Central adapter	2	45	180°	-	M12x1.5	-	-	-	-	-
72067	Central adapter	2	45	180°	-	M12x1	-	-	-	-	-
100060	Central adapter	2	45	-	22.5	M12x1	2	54	ST	-	62778
70114	Central adapter	2	45	180°	-	M12x1	-	-	-	-	-
72042	Central adapter	2	45	180°	91.5	M12x1.5	2	130	ST	70301	70011
70004	Central adapter	4	45	90°	-	M12x1.5	-	-	-	-	-
70007	Central adapter	2	45	90°	-	M12x1.5	-	-	-	-	-

MS = Machine-side



Mechafin AG
 Chrummacherstr. 3 | CH-8954 Geroldswil | Switzerland
 Telephone +41 44 749 30 60 | Facsimile +41 44 749 30 70
 Mail info@mechafin.ch | Web www.mechafin.com

Mechafin Ltd
 Leigh Street | High Wycombe | Buckinghamshire | HP11 2QU UK
 Telephone +44 1494 441 110 | Facsimile +44 1494 473 049
 Mail enquiries@mechafin.co.uk | Web www.mechafin.com

All descriptions included in this catalogue are correct at the time of printing and may be subject to change and alternation from time to time. The contents used in this catalogue are property of Mechafin AG. This means, they are protected copyrights and/or trademarks or otherwise protected by ownership law.