



MECHAFIN

Welding Equipment - Swiss Quality

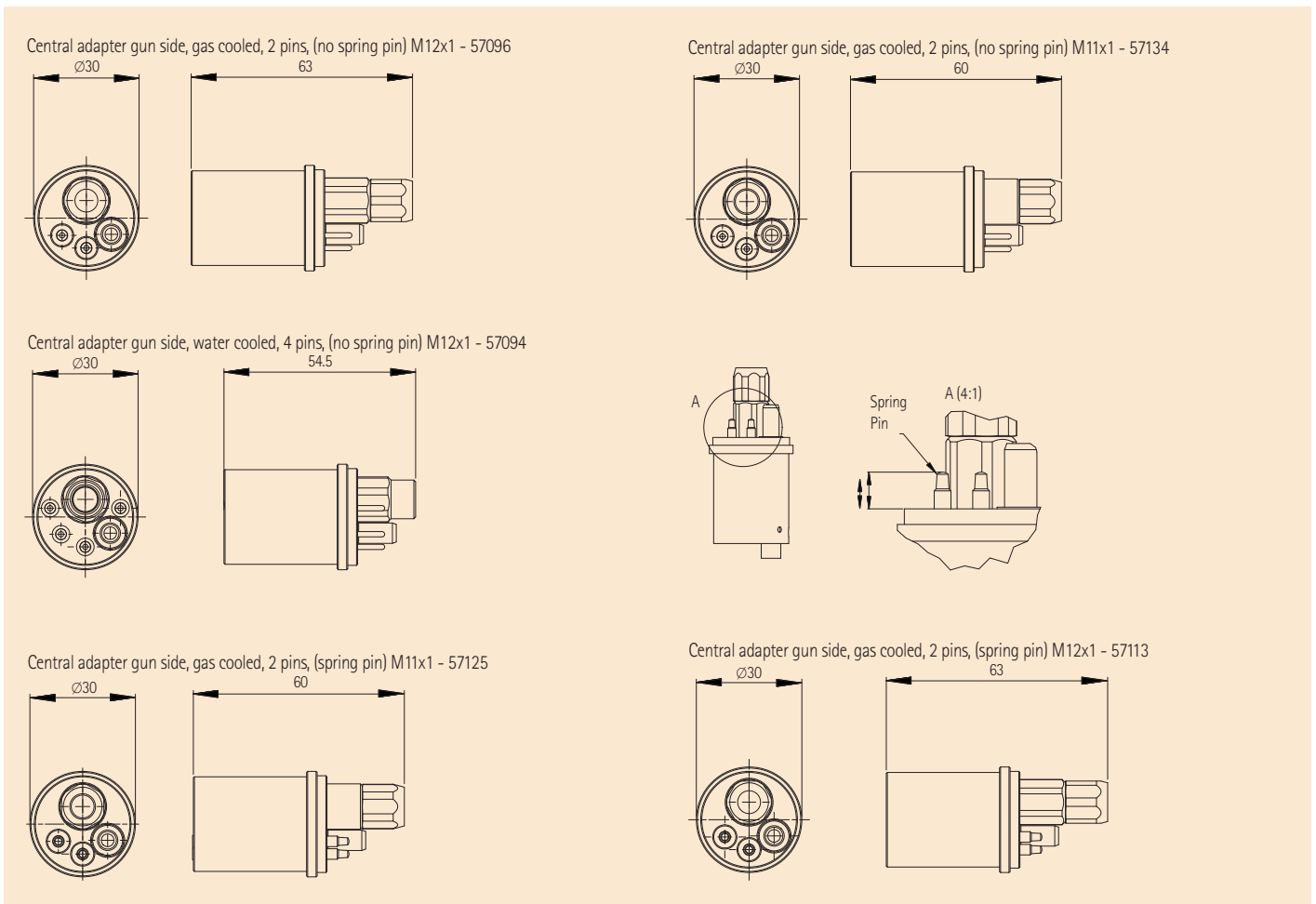
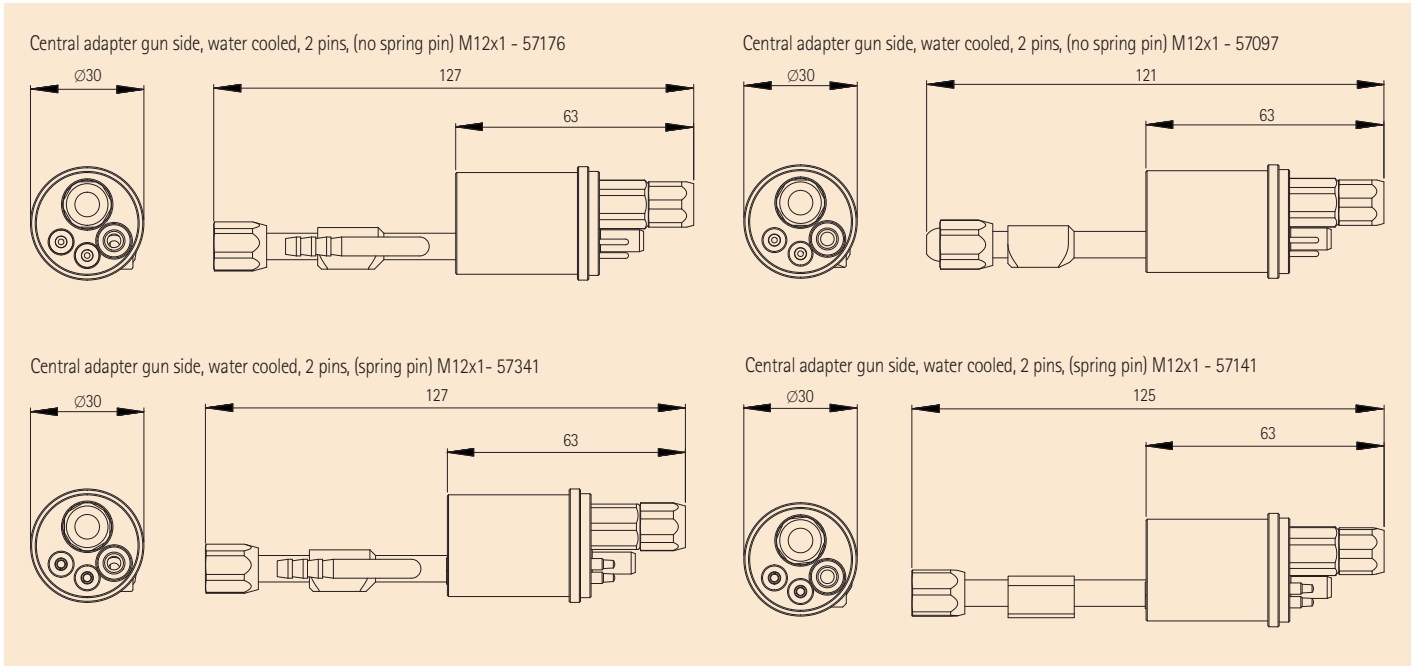
MODULAR EURO CENTRAL ADAPTER KIT GUN SIDE



These central adapters are characterized by the following features:

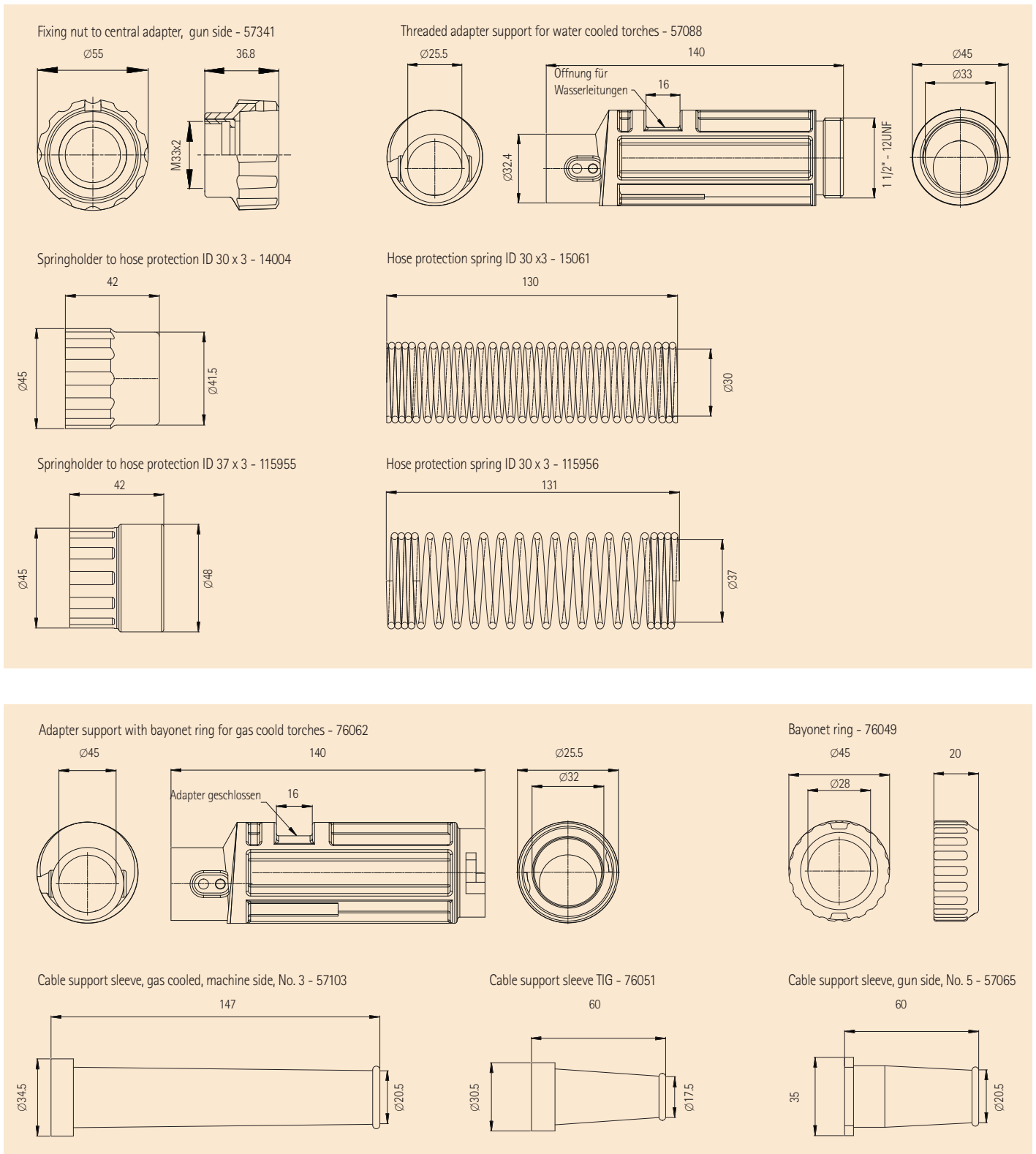
- Precise manufacturing
- 100% reliable
- Highest quality with worldwide approval
- Various electrical and data connections to serve the requirements of the customer
- Gas and power connections optimized for your requirements
- Various plastic housin, gun side
- Customer specific upon request

Euro central adapter, gun side:



Item no.	Description	Pin	Cooling	Thread	Pin type
57120 Kit	Central adapter, gun side	2	gas cooled	M12x1	no spring pin
57124 Kit	Central adapter, gun side	4	gas cooled	M12x1	no spring pin
57147 Kit	Central adapter, gun side	4	gas cooled	M12x1	no spring pin
57125	Central adapter, gun side	2	gas cooled	M11x1	spring pin
57113	Central adapter, gun side	2	gas cooled	M12x1	spring pin
57096	Central adapter, gun side	2	gas cooled	M12x1	no spring pin
57134	Central adapter, gun side	2	gas cooled	M11x1	no spring pin
57397	Central adapter, gun side	2	water cooled	M12x1	no spring pin
54176	Central adapter, gun side	2	water cooled	M12x1	no spring pin
57097	Central adapter, gun side	2	water cooled	M12x1	no spring pin
57341	Central adapter, gun side	2	water cooled	M12x1	spring pin
57301	Central adapter, gun side	2	gas cooled	M12x1	spring pin
57141	Central adapter, gun side	2	water cooled	M12x1	spring pin
57430	Central adapter, gun side	2	water cooled	M12x1	no spring pin
57094	Central adapter, gun side	4	gas cooled	M12x1	no spring pin

Modular euro central adapter kit, gun side:



Mechafin AG
 Chrummacherstr. 3 | CH-8954 Geroldswil | Switzerland
 Telephone +41 44 749 30 60 | Facsimile +41 44 749 30 70
 Mail info@mechafin.ch | Web www.mechafin.com

Mechafin Ltd
 Leigh Street | High Wycombe | Buckinghamshire | HP11 2QU UK
 Telephone +44 1494 441 110 | Facsimile +44 1494 473 049
 Mail enquiries@mechafin.co.uk | Web www.mechafin.com

All descriptions included in this catalogue are correct at the time of printing and may be subject to change and alternation from time to time. The contents used in this catalogue are property of Mechafin AG. This means, they are protected copyrights and/or trademarks or otherwise protected by ownership law.